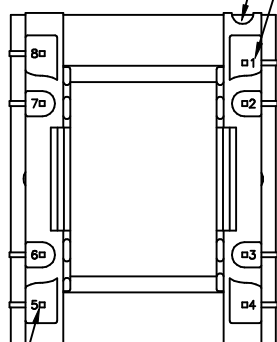


SOLDER SUFFIX	CUSTOMER TERMINAL	RoHS	LEAD(Pb)-FREE
LF3	Sn100%	Yes	Yes

* DIMENSION MAY BE EXCEEDED WITH SOLDER ONLY

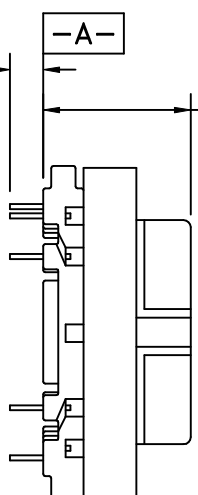
TERM. NO.'s FOR REF. ONLY
NOTCH LOCATES TERM. #1

.150/.180 *
[3.81/4.57]



.025 SQ.(8)
[.64]

PART MUST INSERT FULLY TO
SURFACE A IN RECOMMENDED GRID

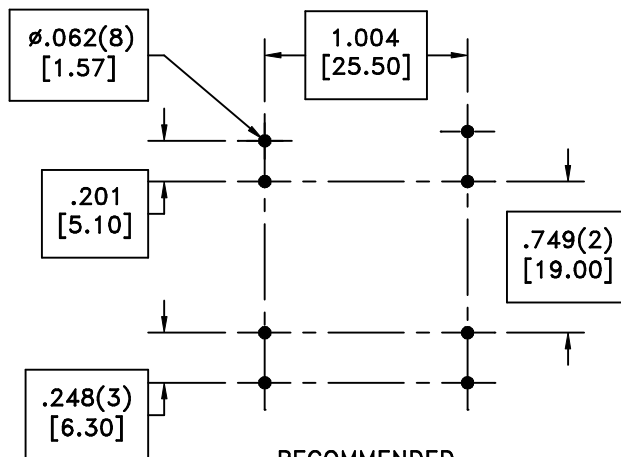
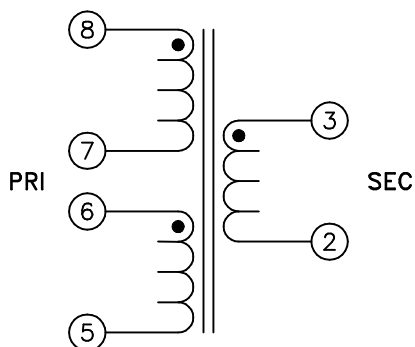


.730 MAX.
[18.54]

1.370 MAX.
[34.80]

1.680 MAX.
[42.67]

SOLDER SUFFIX
LOT CODE & DATE CODE



RECOMMENDED
P.C. PATTERN, COMPONENT SIDE

ELECTRICAL SPECIFICATIONS @ 25°C unless otherwise noted:

- IMPEDANCE: Designed to reflect 600 ohms on the PRI with 600 ohm load on SEC.
- LONGITUDINAL BALANCE: 60dB min., 1kHz, per FCC Method (M->L), with terminals 6, 7 & 2 to ground.
- D.C. RESISTANCE (@20°C):
8-7, 32.00 ohms ±10%.
6-5, 32.00 ohms ±10%.
3-2, 116.00 ohms ±10%.
- FREQUENCY RESPONSE: ±0.5dB, 300 - 3500Hz, 1kHz ref.
- INSERTION LOSS: 1.5dB max., 1kHz, 600 ohm load.
- DIELECTRIC RATING: 1250VAC for 1 second between PRI-SEC.
- D.C. CURRENT: 100mA max. in PRI.
- RETURN LOSS: 9.5dB min., 300Hz vs. 600 ohms.

DETAILS SUBJECT TO CHANGE

Unless otherwise specified:
Tolerances:
Angles: ±1°
Fractions: ±1/64
Decimals: ±.005[.13]

This drawing is dual dimensioned.
Dimensions in brackets are in millimeters.

DRAWING TITLE
TRANSFORMER

eiSos p/n: 7500710353

REVISIONS: SEE SHEET 1

Midcom WE
www.midcom-inc.com

DRAWING NO.
671-0353-LF3

REV.
6A
7/07

SCALE --- SHEET 2 OF 5

DWG.#
671-0353-LF3