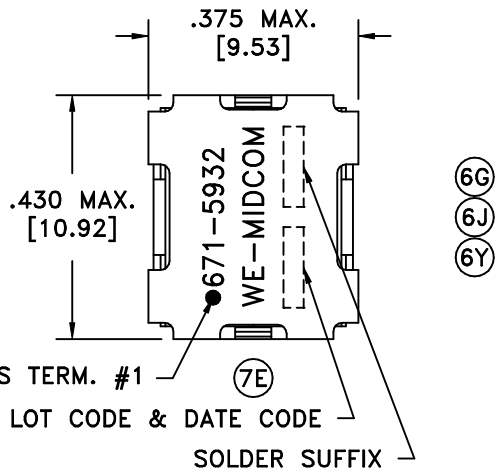
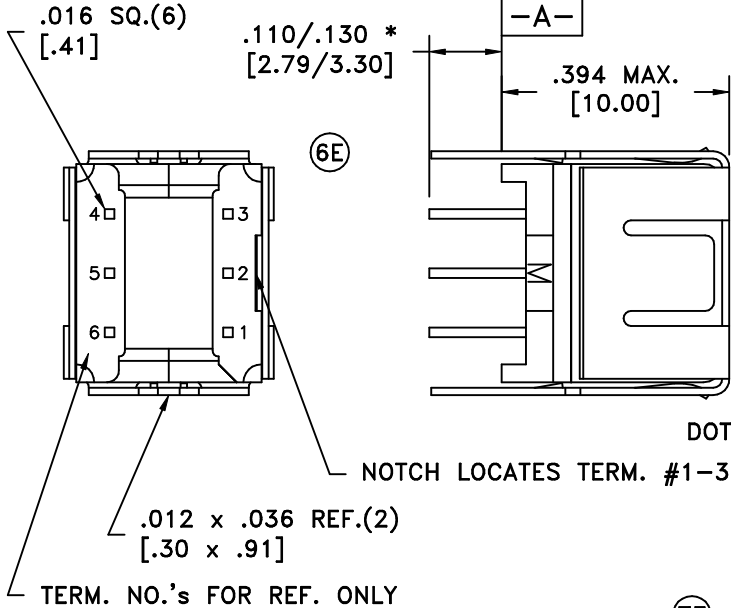


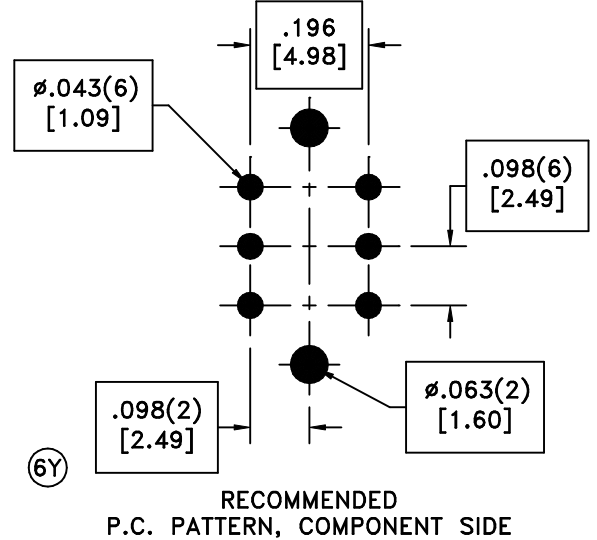
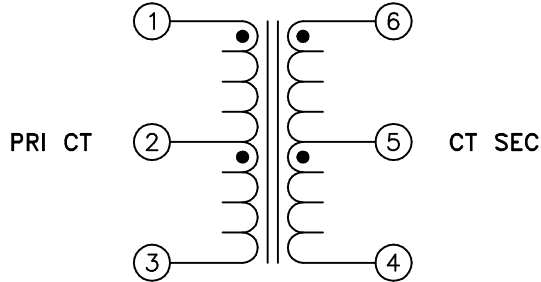
PART MUST INSERT FULLY TO SURFACE A IN RECOMMENDED GRID

\* DIMENSION MAY BE EXCEEDED WITH SOLDER ONLY



DOT LOCATES TERM. #1  
NOTCH LOCATES TERM. #1-3 SIDE  
LOT CODE & DATE CODE

SOLDER SUFFIX	CUSTOMER TERMINAL	RoHS	LEAD(Pb)-FREE
	Sn63%, Pb37%	No	No
LF1	Sn96%, Ag4%	Yes	Yes



**ELECTRICAL SPECIFICATIONS @ 25°C unless otherwise noted:**

- 6J 6N IMPEDANCE: 600 ohms ref., PRI & SEC. (475 ohms on SEC for best Return Loss at 20°C.)
- LONGITUDINAL BALANCE: 60dB min., 200 - 4kHz, per FCC Test Method \*, with terminal 2 grounded.
- 6N 7F D.C. RESISTANCE: 1-3, 65 ohms ±15% @ 20°C; 51 - 94 ohms @ 0°C to 85°C.  
4-6, 80 ohms ±15% @ 20°C; 63 - 116 ohms @ 0°C to 85°C.
- FREQUENCY RESPONSE: ±0.25dB, 300 - 3kHz, ref. 1kHz \*.
- 6N INSERTION LOSS: 1.1dB +0.5dB/-0.25dB, at 1kHz \*.
- 6L 6M DIELECTRIC RATING: 1000VAC, 1 minute tested by applying 1250VAC for 1 second between: PRI-SEC. Meets or exceeds requirements of: CAN/CSA-C22.2 No.225 (M90); DOC's CS-03 (Issue 7); UL's UL1459, 2nd Ed. (1992); and FCC's Part 68 (58 FR 44907, Aug. 25, 1993).
- 6J D.C. IN PRIMARY: None.
- 6N 6Z INDUCTANCE: 700mH min., 200Hz, 1.0VAC, 20°C, Ls.
- 6N RETURN LOSS: 23dB min., at 1kHz vs. 600 ohms \*.
- 7A TURNS RATIO: (1-3):(6-4) = 1:1, ±2%.
- 6N OPERATING TEMPERATURE RANGE: 0°C to +85°C.
- 6N \* 475 ohms load across 4-6.

DETAILS SUBJECT TO CHANGE

AGENCY NUMBER	
UL	E205930
CSA	LR61218

Unless otherwise specified:  
Tolerances:  
Angles: ±1°  
Fractions: ±1/64  
Decimals: ±.005[.13]

This drawing is dual dimensioned.  
Dimensions in brackets are in millimeters.

DRAWING TITLE  
**TRANSFORMER**

eiSos p/n:

REVISIONS: SEE SHEET 1

DRAWING NO. **671-5932/-LF1**

SCALE --- SHEET 2 OF 5

REV. 7F 4/07

DWG.# 671-5932/-LF1