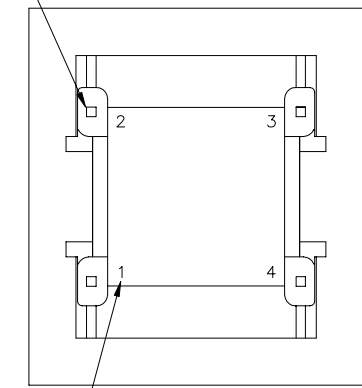
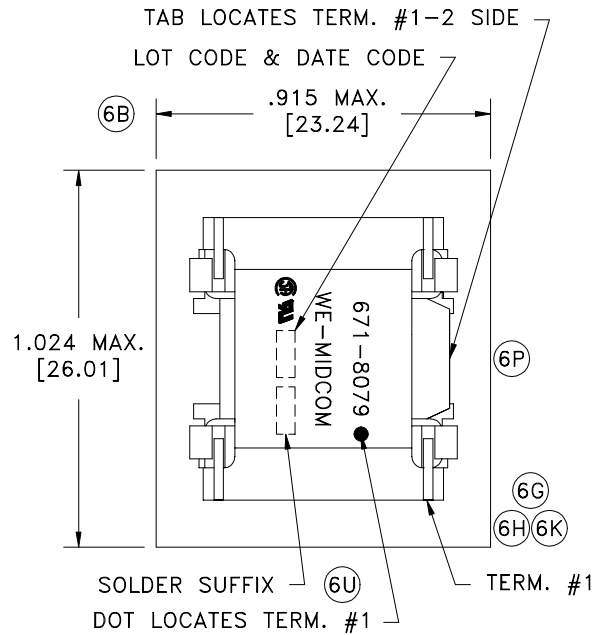
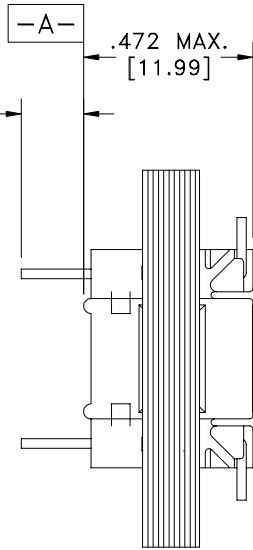


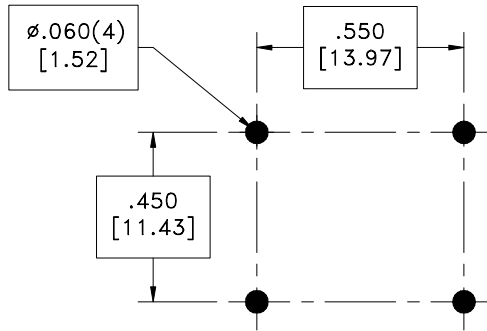
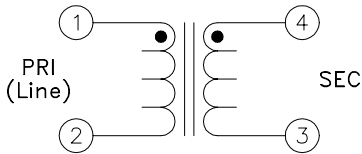
PART MUST INSERT FULLY TO SURFACE A IN RECOMMENDED GRID .025 SQ.(4) [.64]



TERM. NO.'s FOR REF. ONLY



SOLDER SUFFIX	CUSTOMER TERMINAL	RoHS	LEAD(Pb)-FREE
	Sn63%, Pb37%	No	No
LF3	Sn100%	Yes	Yes



RECOMMENDED P.C. PATTERN, COMPONENT SIDE

ELECTRICAL SPECIFICATIONS @ 25°C unless otherwise noted:

- IMPEDANCE: Designed to reflect 600 ohm on PRI with 301 ohm load on SEC.
 - LONGITUDINAL BALANCE: 60dB min., 200 - 1000Hz; 40dB min., 1000 - 4000Hz; per FCC 68.310. 58dB min., greater than 63dB typ., 200 - 1000Hz; 53dB min., greater than 58dB typ., 1000 - 3000Hz; per IEEE-455, 1985/BELLCORE TR-TSY-000057, Sect. 6.5.
 - D.C. RESISTANCE (@20°C): PRI, 150 ohms ±10%. SEC, 150 ohms ±10%.
 - (6J) FREQUENCY RESPONSE: ±0.25dB, 200Hz - 4kHz, 1kHz ref.
 - (6J) INSERTION LOSS: 3.0 ±0.50dB, 1kHz, @20°C.
 - DIELECTRIC RATING: 1000VAC, 1 minute tested by applying 1250VAC for 1 second between PRI - SEC; PRI - core. Meets or exceeds requirements of: CAN/CSA-C22.2 No.225 (M90); DOC's CS-03 (Issue 7); UL's UL1459, 2nd Ed. (1992); and FCC's Part 68 (58 FR 44907, Aug. 25, 1993).
 - D.C. CURRENT: None.
 - (6M) INDUCTANCE: 26H typ., 200Hz, 1.0V, 1-2, Lp.
 - RETURN LOSS: 25dB min., 300Hz; 18dB min., 3000Hz, 600 ohms load.
 - URNS RATIO: (PRI):(SEC) = 1:1, ±2%.
 - (6C) TOTAL HARMONIC DISTORTION: See AD-671-8079 for test setup.
 - (6D) LINE TO RECEIVE: -86dB max.(-92dB typ.), 600Hz, -10dBm input (V.34)
 - TRANSMIT TO LINE: -75dB max.(-81dB typ.), 150Hz, -3dBm output.
- Midcom p/n 671-8079-LF3 is eiSos p/n: 7500718079

AGENCY NUMBER	
UL	E99406
CSA	LR61218

DETAILS SUBJECT TO CHANGE

Unless otherwise specified:
Tolerances:
Angles: ±1°
Fractions: ±1/64
Decimals: ±.005[.13]

DRAWING TITLE

TRANSFORMER
'V.fast'

eiSos p/n: 7500718079



DRAWING NO.

671-8079/-LF3

REV.

6V
7/07

REVISIONS: SEE SHEET 1

SCALE ---

SHEET 2 OF 5

DWG # 671-8079/-LF3