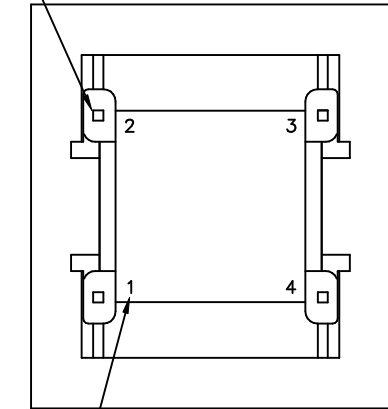
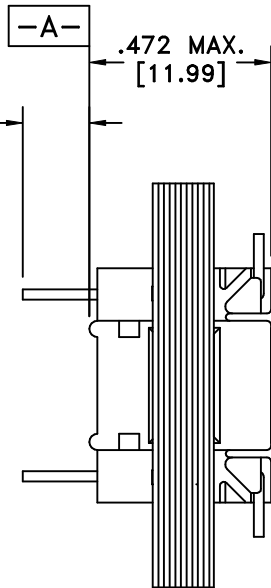


PART MUST INSERT FULLY TO SURFACE A IN RECOMMENDED GRID .025 SQ.(4) [.64]

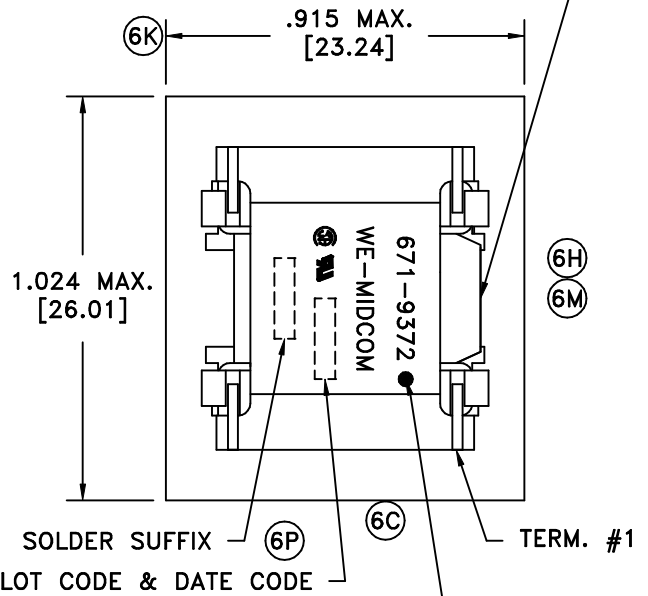
.110/.140 [2.79/3.56]



TERM. NO.'s FOR REF. ONLY

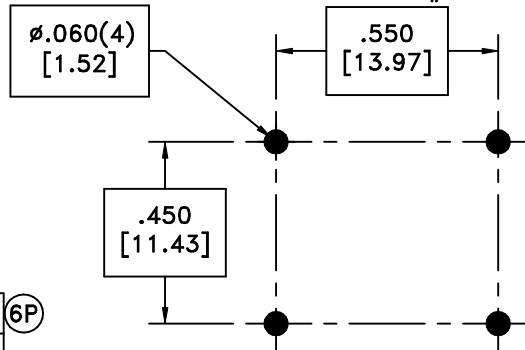


TAB LOCATES TERM. #1-2 SIDE



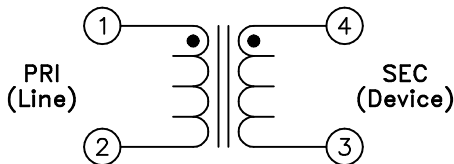
SOLDER SUFFIX (6P) LOT CODE & DATE CODE TERM. #1

DOT LOCATES TERM. #1



(6M) RECOMMENDED P.C. PATTERN, COMPONENT SIDE

(6K) NOTE: This product can be rotated 180° without affecting the pin-out or electrical performance.



SOLDER SUFFIX	CUSTOMER TERMINAL	RoHS	LEAD(Pb)-FREE
	Sn98%, Pb2%	No	No
LF3	Sn100%	Yes	Yes

(6M) ELECTRICAL SPECIFICATIONS @ 25°C unless otherwise noted:

IMPEDANCE: Designed to reflect 600 ohm on PRI with 530 ohm load on SEC.

LONGITUDINAL BALANCE: 60dB min., 200 - 1000Hz; 40dB min., 1000 - 4000Hz; per FCC 68.310. 58dB min., greater than 63dB typ., 200 - 1000Hz; 53dB min., greater than 58dB typ., 1000 - 3000Hz; per IEEE-455, 1985/BELLCORE TR-TSY-000057, Sect. 6.5.

D.C. RESISTANCE (@20°C): PRI, 43 ohms ±10%. SEC, 43 ohms ±10%.

FREQUENCY RESPONSE: ±0.20dB, 200Hz - 4kHz.

INSERTION LOSS: 1.0dB max., 1000Hz.

DIELECTRIC RATING: 1000VAC, 1 minute tested by applying 1250VAC for 1 second between PRI-SEC. Meets or exceeds requirements of: CAN/CSA-C22.2 No.225 (M90); DOC's CS-03 (Issue 7); UL's UL1459, 2nd Ed. (1992); and FCC's Part 68 (58 FR 44907, Aug. 25, 1993).

D.C. CURRENT: None.

INDUCTANCE: 3H min., 200Hz, 1.0VAC, 1-2, Lp.

RETURN LOSS: 25dB min., 200 - 4000Hz.

URNS RATIO: (1-2):(4-3) = 1:1, ±1%.

DETAILS SUBJECT TO CHANGE

(6H)

AGENCY NUMBER	
UL	E99406
CSA	LR61218

Unless otherwise specified:
Tolerances:
Angles: ±1°
Fractions: ±1/64
Decimals: ±.005[.13]

This drawing is dual dimensioned.
Dimensions in brackets are in millimeters.

DRAWING TITLE
TRANSFORMER

eiSos p/n:

REVISIONS: SEE SHEET 1

Midcom WE
www.midcom-inc.com

DRAWING NO. (6P)(6F) REV. 6Q 5/05
671-9372/U/-LF3

SCALE --- SHEET 2 OF 5

DWG.# 671-9372/U/-LF3