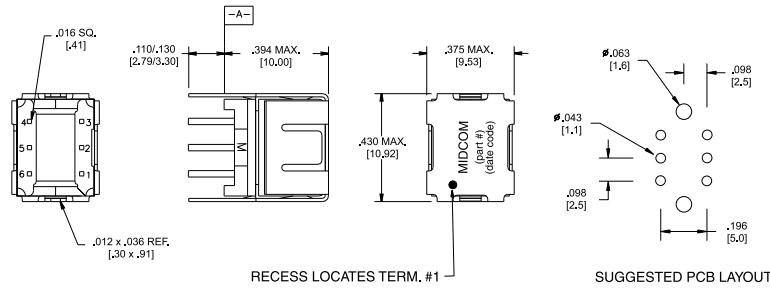


Voice/Analog Switching

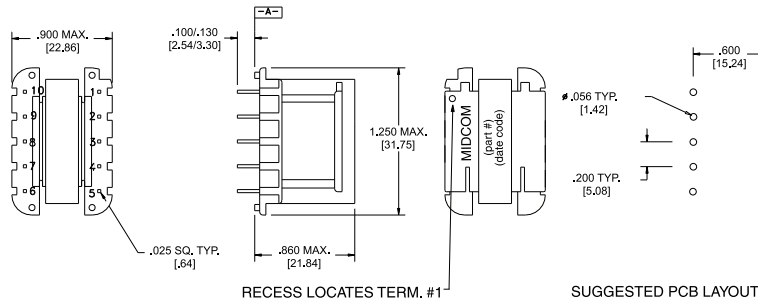
Features

- Small size
- Excellent longitudinal balance

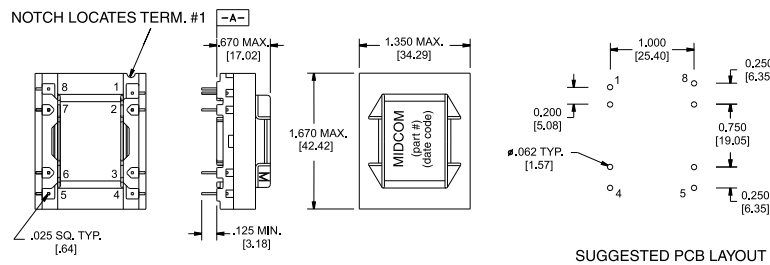
671-5932



671-1444

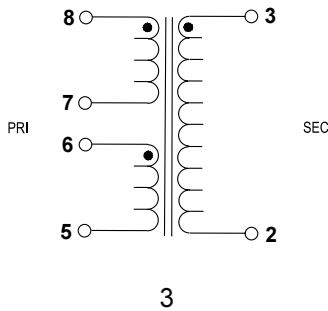
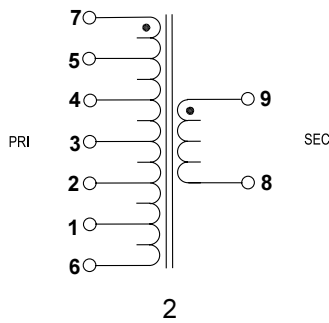
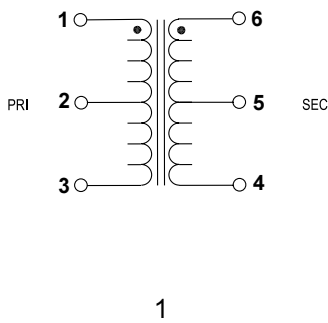


671-0353



Voice/Analog Switching (continued)

Part Number	Impedance	DC(mA)	Mechanicals	Schematic
671-5932	600	0	TH	1
671-1444	150/600/1200	1	TH	2
671-0353	600	100	TH	3



Details subject to change. Contact your Midcom sales representative for additional information. Dimensions: in/mm. All tolerances are $\pm .010/0,25$ and electrical specifications are @ 25°C unless otherwise specified.

01/22/03