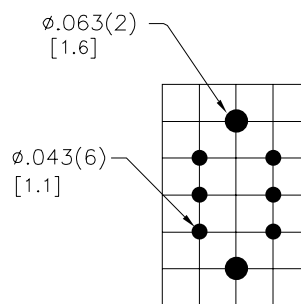
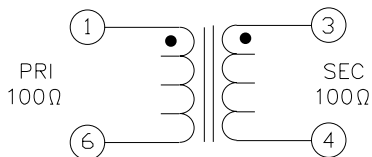
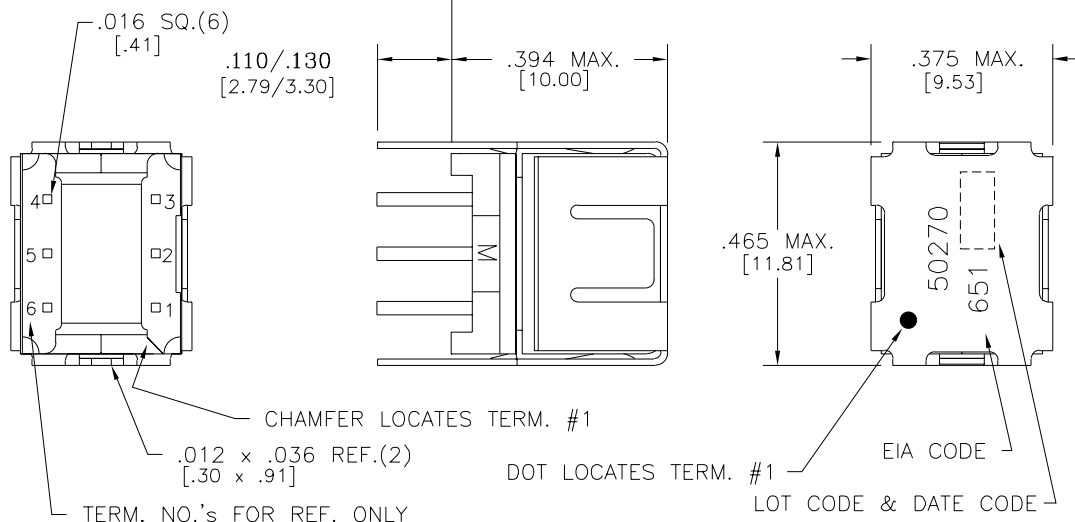


PART MUST INSERT FULLY TO SURFACE A IN TRUE POSITION GRID



TRUE POSITION GRID  
(P.C. PATTERN, COMPONENT SIDE)  
.098[2.5] GRID

**SPECIFICATIONS:**

D.C. RESISTANCE, 20°C: 1-6, 0.50 ohms  $\pm 10\%$   
3-4, 0.50 ohms  $\pm 10\%$

FREQUENCY RESPONSE:  $\pm 1.0\text{dB}$ , 20kHz - 10MHz

INSERTION LOSS: 0.5dB max., 4MHz.

DIELECTRIC RATING: 1200VAC, 1 minute tested by applying 1500VAC for 1 second between: 1-3.

INDUCTANCE: 914uH min., 10kHz, 10mV, 1-6, Ls.

LEAKAGE INDUCTANCE: 200nH max., 100kHz, 15mV, 1-6(tie 3+4), Ls.

RETURN LOSS: 10dB min., 20kHz - 10MHz, 30dB typ. @ 4MHz.

TURNS RATIO: (3-4):(1-6) = 1:1  $\pm 1\%$

OPERATING FREQUENCY RANGE: 20kHz - 10MHz.

**Midcom, Inc.**

Watertown, SD USA  
Toll Free: 800-643-2661  
Fax: 605-886-4486

This drawing is dual dimensioned.  
Dimensions in brackets are in millimeters.

Unless otherwise specified:  
Tolerances: Fractions:  $\pm 1/64$   
Angles:  $\pm 1^\circ$  Decimals:  $\pm .005(.127\text{mm})$

DRAWING TITLE

**TRANSFORMER**

REVISIONS: SEE SHEET 1

Midcom

DRAWING NO.

**50270**

REV.

6A

SCALE ---

SHEET 2 OF 5

DWG.# 50270