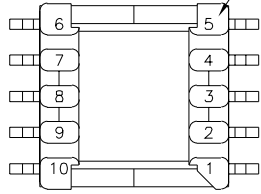
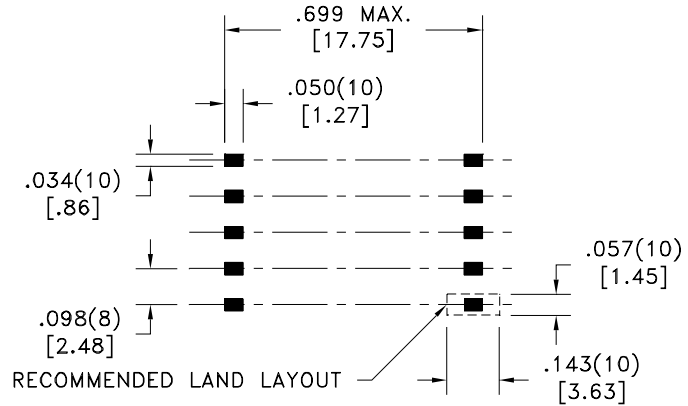
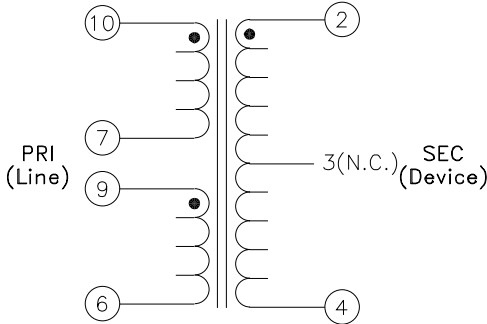
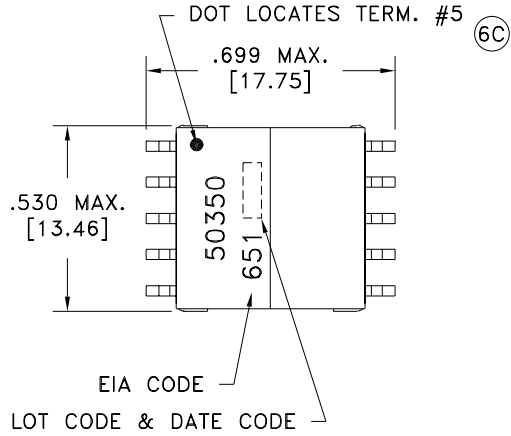
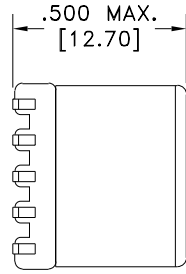


TERM. NO.'s FOR REF. ONLY

6C



6B



TERMINAL PAD DIMENSIONS
CUSTOMER TO DETERMINE LAND SIZE

ELECTRICAL SPECIFICATIONS @ 25°C unless otherwise noted:

- 6C LONGITUDINAL BALANCE: 50.0dB min., 40k - 300kHz, per ITU Method (L->M).
- D.C. RESISTANCE, 20°C:
 - 10-7, 1.61 ohms ±10%
 - 9-6, 1.61 ohms ±10%
 - 2-4, 1.78 ohms ±10%
- DIELECTRIC RATING: 1500VAC for 1 second between 9-2; 10-2.
- INDUCTANCE: 2.92mH ±5%, 10kHz, 1.0VAC, 0/160mADC, 10-6(tie 9+7), Ls.
- URNS RATIO: (10-6):(2-4) = 1.8:1, tie(9+7), ±1%.
- TOTAL HARMONIC DISTORTION: -80.0dB typ., 5kHz, 5Vp-p, 40.2 ohm load, 135 ohm input, tie(9+7).
- OPERATING TEMPERATURE: -40°C to +85°C.

Designed for use with Level One: SK70704/SK70706 HDSL IC @ 784kbps rates.

| | | | |
|--|--|--|--------------|
| Midcom, Inc. Watertown, SD USA Toll Free: 800-643-2661 Fax: 605-886-4486 | Unless otherwise specified: Tolerances: Fractions: ±1/64 Angles: ±1° Decimals: ±.005(.127mm) | | |
| | DRAWING TITLE <h2 style="text-align: center;">TRANSFORMER</h2> | DRAWING NO. <h2 style="text-align: center;">50350R</h2> | REV. 6C |
| This drawing is dual dimensioned. Dimensions in brackets are in millimeters. | REVISIONS: SEE SHEET 1 | SCALE --- | SHEET 2 OF 5 |

DWG.# 50350R