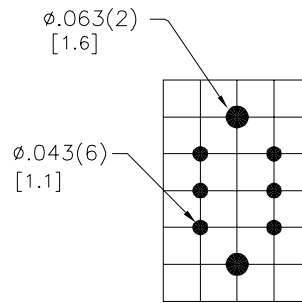
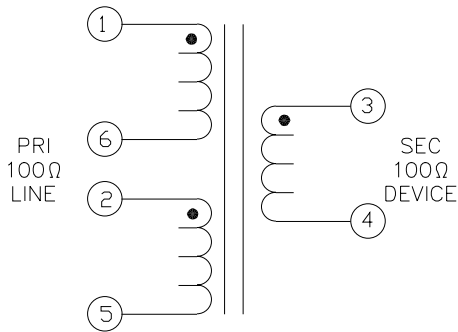
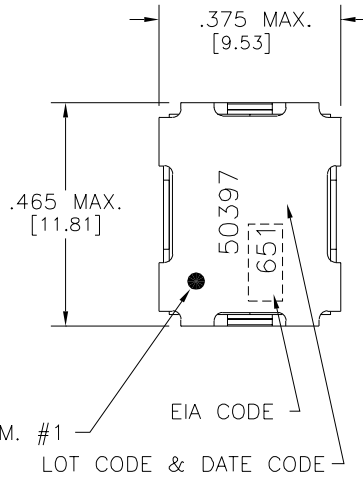
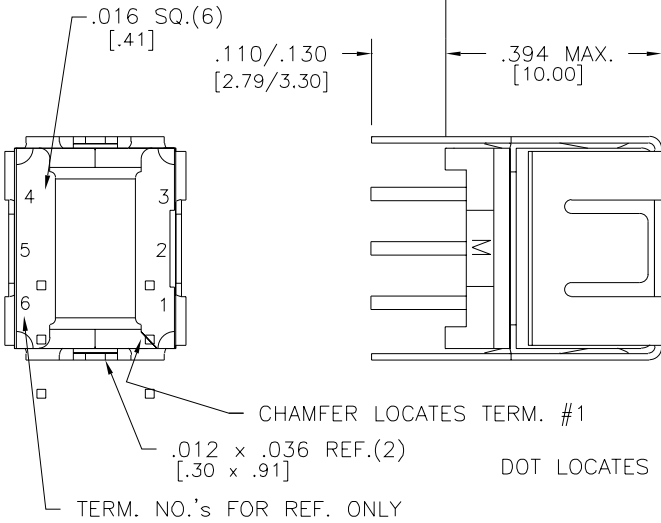


PART MUST INSERT FULLY TO SURFACE A IN TRUE POSITION GRID



TRUE POSITION GRID
(P.C. PATTERN, COMPONENT SIDE)
.098[2.5] GRID

SPECIFICATIONS:

LONGITUDINAL BALANCE: 40dB min., 20k - 1.1MHz.

D.C. RESISTANCE, 20°C: 1-6, 1.30 ohms ±10%
2-5, 1.30 ohms ±10%
3-4, 2.25 ohms ±10%

DIELECTRIC RATING: 1000VAC, 1 minute tested by applying 1250VAC for 1 second between terminals: 4-6; 4-2.

INDUCTANCE: 25.4mH min., 10kHz, 100mVAC, 1-5(tie 6+2), Ls.

RETURN LOSS: 10dB min., 30k - 1.1MHz, 100 ohm load, tie(6+2).

TURNS RATIO: (3-4):(1-5) = 1:1 ±1%

FREQUENCY RESPONSE: ±1dB typ., 600Hz - 2.5MHz.

Midcom, Inc.
Watertown, SD USA
Toll Free: 800-643-2661
Fax: 605-886-4486

This drawing is dual dimensioned.
Dimensions in brackets are in millimeters.

Unless otherwise specified:
Tolerances: Fractions: ±1/64
Angles: ±1° Decimals: ±.005(.127mm)

DRAWING TITLE
TRANSFORMER

REVISIONS: SEE SHEET 1

Midcom

DRAWING NO.
50397

REV.
6B

SCALE --- SHEET 2 OF 5

DWG.# 50397