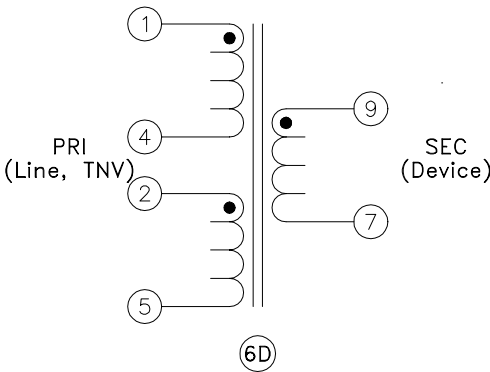
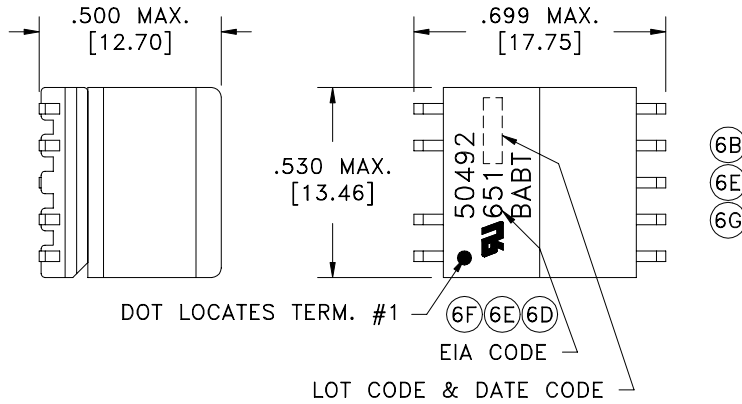
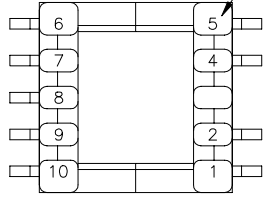
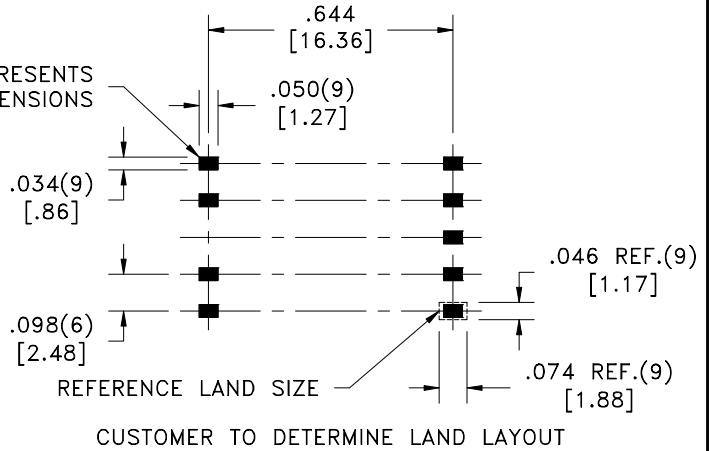


TERM. NO.'s FOR REF. ONLY



AREA REPRESENTS TERMINAL PAD DIMENSIONS



CUSTOMER TO DETERMINE LAND LAYOUT

6B 6E 6F 6G

**ELECTRICAL SPECIFICATIONS @ 25°C unless otherwise noted:**

LONGITUDINAL BALANCE: 50dB min., 40k - 300kHz, per FCC part 68.310, with terminal 7 grounded.

D.C. RESISTANCE (@20°C):  
 9-7, 2.63 ohms ±10%.  
 1-4, 2.11 ohms ±10%.  
 2-5, 2.11 ohms ±10%.

DIELECTRIC RATING: 1500VAC, 1 minute tested by applying 1875VAC for 1 second between 1-9; 5-9.

INDUCTANCE: 2.92mH ±5%, 10kHz, 1.0VAC, 0/160mADC, 1-5(tie 2+4), Ls.

TURNS RATIO: (1-5):(9-7) = 1.8:1, tie(2+4), ±1%.

TOTAL HARMONIC DISTORTION: -80dB typ., 5kHz, 5Vp-p, 40.2 ohm load, 135 ohm input, tie(2+4).

OPERATING TEMPERATURE RANGE: -40°C to +85°C.

6D

AGENCY NUMBER	
IEC 950 (Via CB cert.)	GB436W
ACA/AUSTEL (Via CB cert.)	GB436W
JAPAN (Via CB cert.)	GB436W
BABT	NC/006971
UL 60950	E205930
CSA 60950 (Via CUL)	E205930

6D 6F Designed to comply with the following requirements as defined by IEC950, EN60950, UL60950/CSA60950 and AS/NZS60950:  
 - Supplementary insulation for a primary circuit at a working voltage of 250Vrms.

DETAILS SUBJECT TO CHANGE

**Midcom, Inc.**  
 Watertown, SD USA  
 Toll Free: 800-643-2661  
 Fax: 605-886-4486

Unless otherwise specified:  
 Tolerances: Fractions: ±1/64  
 Angles: ±1° Decimals: ±.005[.13]

DRAWING TITLE  
**TRANSFORMER**

REVISIONS: SEE SHEET 1

**Midcom**

DRAWING NO.

**50492R**

REV.

6B 6G  
 6D 7/03

SCALE ---

SHEET 2 OF 6

This drawing is dual dimensioned.  
 Dimensions in brackets are in millimeters.

DWG # 50492R