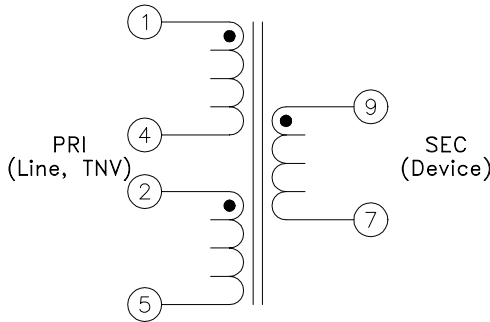
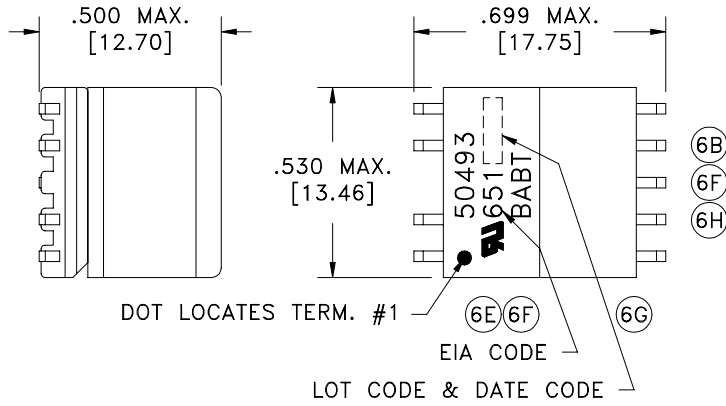
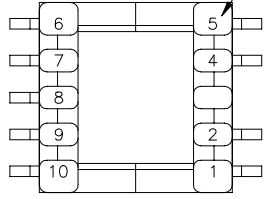
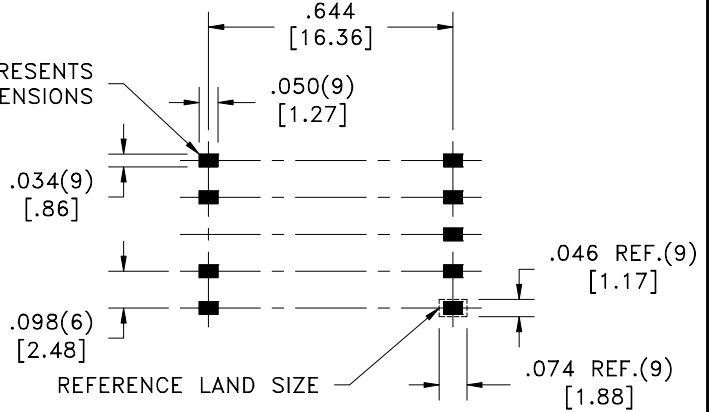


TERM. NO.'s FOR REF. ONLY



AREA REPRESENTS TERMINAL PAD DIMENSIONS



6H 6G 6F 6B CUSTOMER TO DETERMINE LAND LAYOUT

ELECTRICAL SPECIFICATIONS @ 25°C unless otherwise noted:

- IMPEDANCE: Designed to reflect 135 ohms on the PRI with 42 ohm load on SEC.
- LONGITUDINAL BALANCE: 53dB min., 500Hz - 292kHz, per FCC part 68.310, with terminal 7 grounded.
- D.C. RESISTANCE (@20°C):
 - 9-7, 3.17 ohms ±10%.
 - 1-4, 3.5 ohms ±10%.
 - 2-5, 3.5 ohms ±10%.
- DIELECTRIC RATING: 1500VAC, 1 minute tested by applying 1875VAC for 1 second between 1-9; 5-9.
- INDUCTANCE: 600uH ±5%, 10kHz, 1.0VAC, 9-7, Ls.
- LEAKAGE INDUCTANCE: 20.0uH max., 100kHz, 100mVAC, 2-4(tie 10+6, 7+9), Ls.
- 6C TURNS RATIO:
 - (1-5):(9-7) = 1.8:1, tie(2+4), ±1%.
 - (1-4):(2-5) = 1:1, ±1%.
- TOTAL HARMONIC DISTORTION: -84.5dB typ., 5000Hz, 1.45Vrms, 42 ohm load, 135 ohm input, tie(9+7).
- INTERWINDING CAPACITANCE: 75pF max., 100kHz, 1.0VAC, 1-9(tie 4+2), Cs.
- OPERATING TEMPERATURE RANGE: -40°C to +85°C.

Designed for use with Level One IC: SK70704/SK70707.

- 6E 6C Designed to comply with the following requirements as defined by IEC60950, EN60950, UL60950/CSA60950 and AS/NZS60950:
 - Supplementary insulation for a primary circuit at a working voltage of 250Vrms.

6E AGENCY NUMBER	
6G BAPT	NC/006971
6G 6F UL 60950	E205930
6G 6F CSA 60950 (Via CUL)	E205930
IEC 950 (Via CB cert.)	GB436W
ACA/AUSTEL (Via CB cert.)	GB436W
JAPAN (Via CB cert.)	GB436W

Midcom, Inc.
 Watertown, SD USA
 Toll Free: 800-643-2661
 Fax: 605-886-4486

This drawing is dual dimensioned.
 Dimensions in brackets are in millimeters.

Unless otherwise specified:
 Tolerances: Fractions: ±1/64
 Angles: ±1° Decimals: ±.005[.13]

DRAWING TITLE
TRANSFORMER

REVISIONS: SEE SHEET 1

Midcom

DRAWING NO.

50493R

REV.

6B 6H
 6E 7/03

SCALE ---

SHEET 2 OF 6

DWG # 50493R