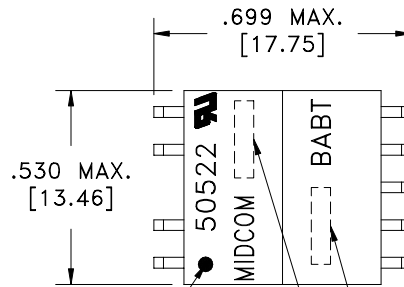
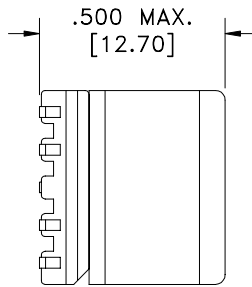
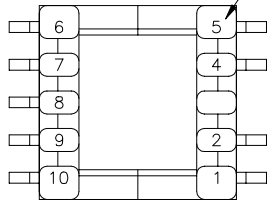


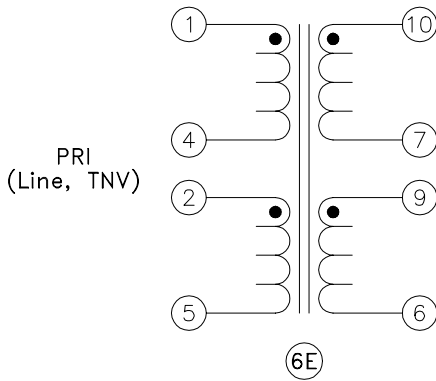
SOLDER SUFFIX	CUSTOMER TERMINAL	RoHS	LEAD(Pb)-FREE	(6Q)
	Sn63%, Pb37%	No	No	
LF1	Sn96%, Ag4%	Yes	Yes	

TERM. NO.'s FOR REF. ONLY

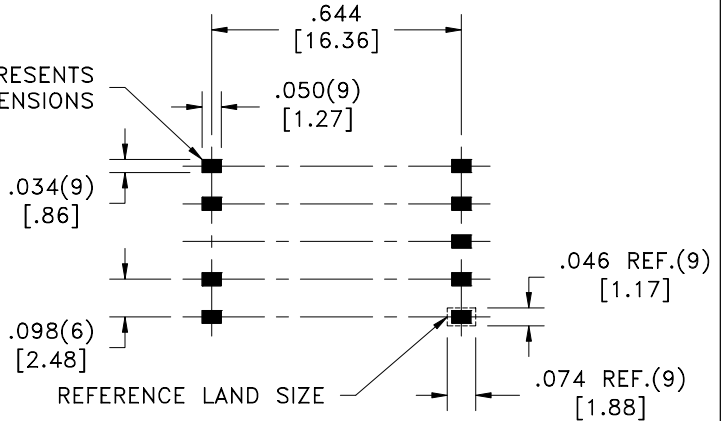


- (6B)
- (6E)
- (6F)
- (6J)
- (6L)
- (6P)

DOT LOCATES TERM. #1 (6C)(6M)(6Q)
 SOLDER SUFFIX (6C)(6M)(6Q)
 LOT CODE & DATE CODE



AREA REPRESENTS
 TERMINAL PAD DIMENSIONS
 SEC (Device)



(6P)(6K)(6B) CUSTOMER TO DETERMINE LAND LAYOUT

ELECTRICAL SPECIFICATIONS @ 25°C unless otherwise noted:

LONGITUDINAL BALANCE: 55dB min., 20k - 1.1MHz, per ITU Method (L->M).

(6H) D.C. RESISTANCE (@20°C): 10-7, 0.33 ohms ±10%. 1-4, 0.39 ohms ±10%.
 9-6, 0.33 ohms ±10%. 2-5, 0.39 ohms ±10%.

FREQUENCY RESPONSE: ±3dB, 20k - 2MHz.

INSERTION LOSS: 0.5dB max., at 772kHz, per IEEE method, 100 ohm load.

DIELECTRIC RATING: 1500VAC, 1 minute tested by applying 1875VAC for 1 second between PRI-SEC.

(6F) INDUCTANCE: 407.5uH ±6%, 10kHz, 100mVAC, 1-5(tie 2+4), Ls.

LEAKAGE INDUCTANCE: 10uH max., 10kHz, 100mVAC, 1-5(tie 7+9, 2+4, 10+6), Ls.

TURNS RATIO: (PRI):(SEC) = 1:1, ±1%.

(6G) INTERWINDING CAPACITANCE: 25pF max., 10kHz, 1.0VAC, 1-10(tie 2+4, 7+9), Cs.

(6K) TOTAL HARMONIC DISTORTION: -85dB max., 100kHz, 5.3Vrms across PRI, 100 ohm load, 100 ohm input, tie(2+4, 7+9).

(6M) OPERATING TEMPERATURE RANGE: -40°C to +85°C.

(6C)(6K) Designed to comply with the following requirements as defined by IEC60950-1, EN60950-1, UL60950-1/CSA60950-1 and AS/NZS60950.1:
 (6M)(6Q) - Supplementary insulation for a primary circuit at a working voltage of 250Vrms.

(6C)(6D)(6E)(6Q)	
AGENCY NUMBER	
(6M) BABT	NC/012203
(6M)(6J)(6F) UL 60950-1	E205930
(6M)(6J)(6F) CSA 60950-1 (Via CUL)	E205930
IEC 60950-1 (Via CB cert.)	US/9168/UL
JAPAN (Via CB cert.)	US/9168/UL
ACA/AUSTEL (Via CB cert.)	US/9168/UL

DETAILS SUBJECT TO CHANGE

Midcom, Inc.

Watertown, SD USA
 Toll Free: 800-643-2661
 Fax: 605-886-4486

Unless otherwise specified:
 Tolerances: Fractions: ±1/64
 Angles: ±1° Decimals: ±.005 [1.13]

DRAWING TITLE

TRANSFORMER

Midcom

DRAWING NO. (6Q)(6P)(6N)(6C)(6B) REV.

50522R/-LF1

6R
 6/06

REVISIONS: SEE SHEET 1

SCALE --- (6N) SHEET 2 OF 6

This drawing is dual dimensioned.
 Dimensions in brackets are in millimeters.

DWG.# 50522R/-LF1 (6P)