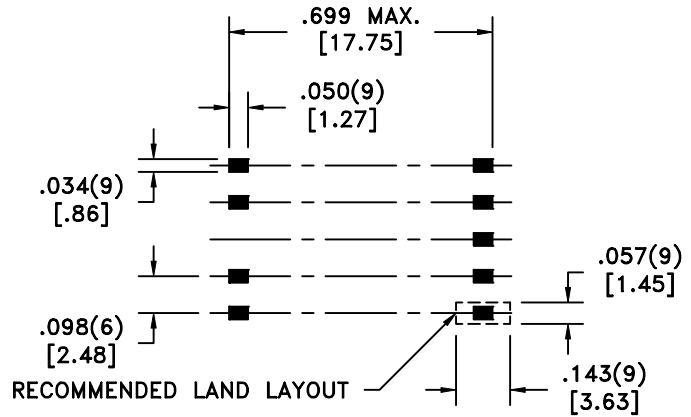
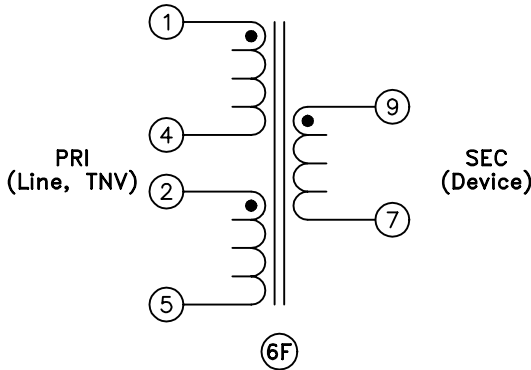
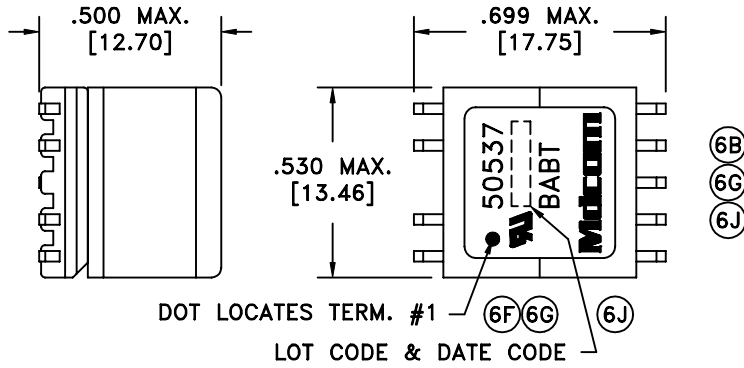
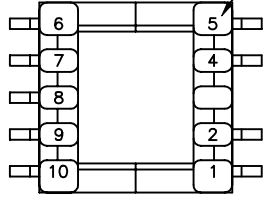


TERM. NO.'s FOR REF. ONLY



TERMINAL PAD DIMENSIONS
CUSTOMER TO DETERMINE LAND SIZE

ELECTRICAL SPECIFICATIONS @ 25°C unless otherwise noted:

LONGITUDINAL BALANCE: 40dB min., 20k-1.1MHz, per FCC part 68.310, with terminal 7 grounded.

D.C. RESISTANCE (@20°C):
1-4, 0.83 ohms ±10%.
2-5, 0.83 ohms ±10%.
9-7, 2.10 ohms ±10%.

DIELECTRIC RATING: 1500VAC, 1 minute tested by applying 1875VAC for 1 second between PRI-SEC.

INDUCTANCE: 25.4mH min., 10kHz, 100mVAC, 1-5(tie 2+4), Ls.

RETURN LOSS: 10dB min., 20k-1.1MHz, 100 ohms load, 1-5(tie 2+4).

TURNS RATIO: (1-5):(9-7) = 1:1, tie(2+4), ±1%.

AGENCY NUMBER	
BABT	NC/006971
UL 60950	E205930
CSA 60950 (Via CUL)	E205930
IEC 950 (Via CB cert.)	GB436W
ACA/AUSTEL (Via CB cert.)	GB436W
JAPAN (Via CB cert.)	GB436W

6F(6H) Designed to comply with the following requirements as defined by IEC950, EN60950, UL60950/CSA60950 and AS/NZS3260:
6J - Supplementary insulation for a primary circuit at a working voltage of 250V.

DETAILS SUBJECT TO CHANGE

Midcom, Inc.
Watertown, SD USA
Toll Free: 800-643-2661
Fax: 605-886-4486

Unless otherwise specified:
Tolerances: Fractions: ±1/64
Angles: ±1° Decimals: ±.005[.13]

DRAWING TITLE

TRANSFORMER

REVISIONS: SEE SHEET 1

Midcom

DRAWING NO.

50537R

SCALE ---

REV. 6B 6F 6K 12/01

SHEET 2 OF 6

DWG # 50537R

This drawing is dual dimensioned.
Dimensions in brackets are in millimeters.