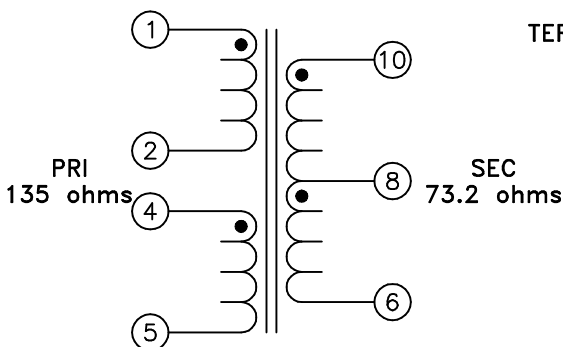
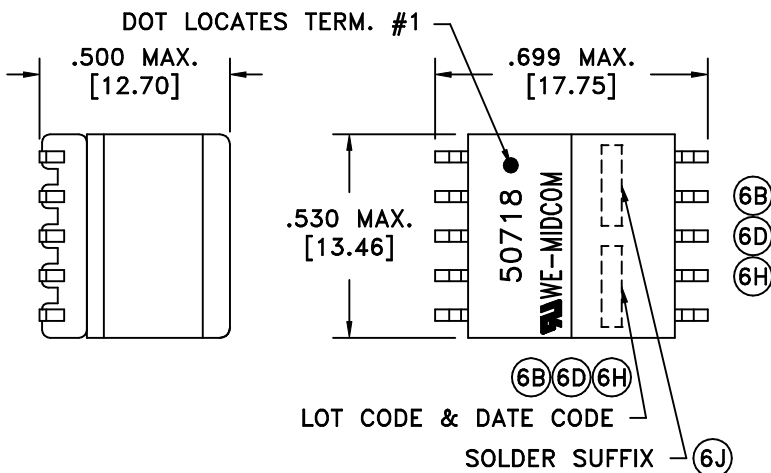
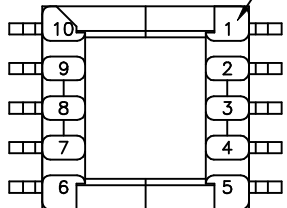
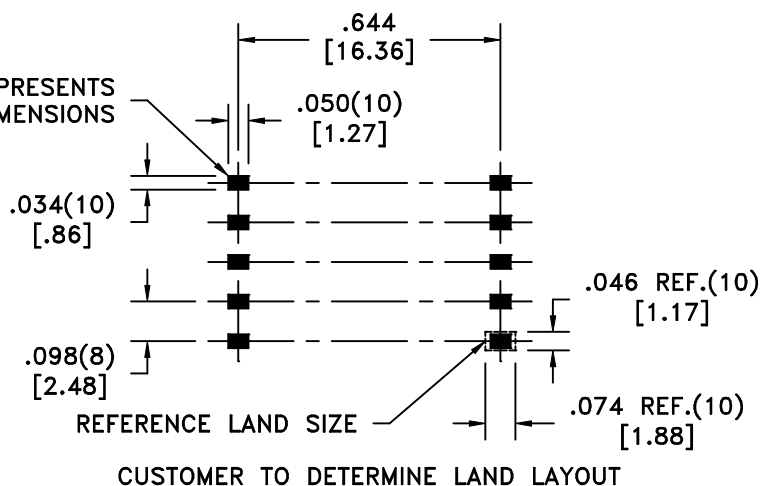


SOLDER SUFFIX	CUSTOMER TERMINAL	RoHS	LEAD(Pb)-FREE	(6J)
	Sn63%, Pb37%	No	No	
LF1	Sn96%, Ag4%	Yes	Yes	

TERM. NO.'s FOR REF. ONLY



AREA REPRESENTS TERMINAL PAD DIMENSIONS



**ELECTRICAL SPECIFICATIONS @ 25°C unless otherwise noted:**

- LONGITUDINAL BALANCE: 55dB min., 281Hz - 40kHz, per ITU Method (L->M).
- (6F) D.C. RESISTANCE (@20°C): 1-2, 7.83 ohms max.  
4-5, 7.83 ohms max.  
10-6, 11.00 ohms max.
- DIELECTRIC RATING: 1000VAC, 1 minute tested by applying 1250VAC for 1 second between 1-10; 4-10.
- INDUCTANCE: 28mH ±5%, 10kHz, 100mVAC, 0mADC, 1-5(tie 2+4), Ls.  
28mH ±10%, 10kHz, 100mVAC, 40mADC, 1-5(tie 2+4), Ls.
- LEAKAGE INDUCTANCE: 70uH max., 100kHz, 100mVAC, 10-6(tie 1+5, 2+4), Ls.
- RETURN LOSS: 20dB min., 10k - 25kHz, 73.2 ohm load, tie(2+4).
- TURNS RATIO: (1-5):(10-6) = 1.25:1, tie(2+4), ±1%.
- TOTAL HARMONIC DISTORTION: -55dB max., 500Hz, 4Vp-p, 135 ohm load, 73.2 ohm input, tie(2+4).
- (6J) OPERATING TEMPERATURE RANGE: -40°C to +85°C.

Midcom p/n 50718R-LF1 is eiSos p/n: 750050718.

Designed for use with Motorola ISDN-U Interface IC: MC145572.

DETAILS SUBJECT TO CHANGE

(6B)(6D)(6J)	
AGENCY NUMBER	
UL60950-1	E205930
CSA60950-1 (Via CUL)	E205930

Unless otherwise specified:  
Tolerances:  
Angles: ±1°  
Fractions: ±1/64  
Decimals: ±.005[.13]

This drawing is dual dimensioned.  
Dimensions in brackets are in millimeters.

DRAWING TITLE

# TRANSFORMER

eiSos p/n: 750050718

REVISIONS: SEE SHEET 1

Midcom www.midcom-inc.com

DRAWING NO. **50718R/-LF1** (6J) REV. 6J  
(6B) 9/07

SCALE --- SHEET 2 OF 5

DWG.# 50718R/-LF1