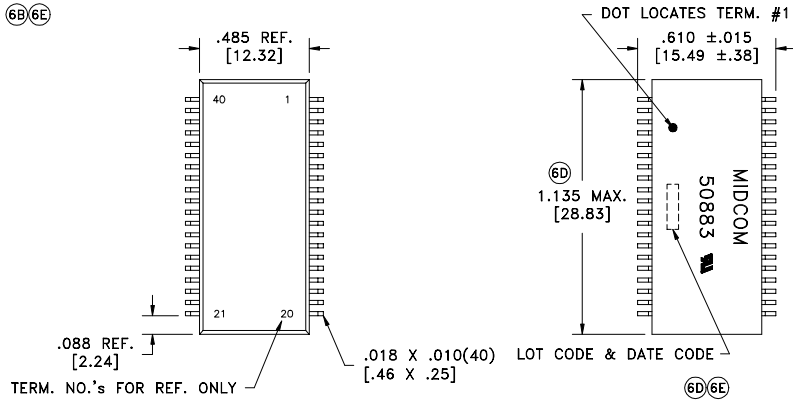
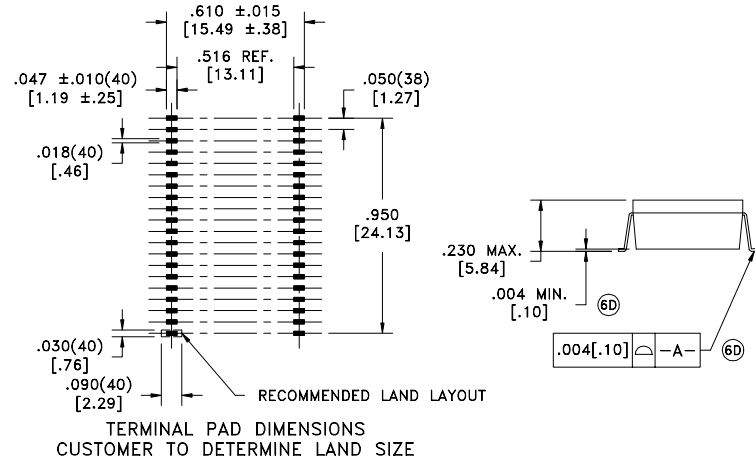


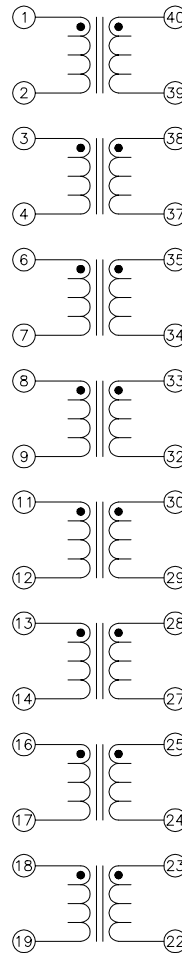
6B/6E



TERM. NO.'s FOR REF. ONLY



6B



ELECTRICAL SPECIFICATIONS @ 25°C unless otherwise noted:

- LONGITUDINAL BALANCE: 55dB min., 1.544MHz; 50dB min. @ 2.048MHz, per ITU Method (L->M).
- D.C. RESISTANCE (@20°C): 1-2; 3-4; 6-7; 8-9; 11-12; 13-14; 16-17; 18-19; 22-23; 25-24; 27-28; 29-30; 32-33; 34-35; 37-38; 39-40, 0.70 ohms max.
- DIELECTRIC RATING: 1500VAC, 1 minute tested by applying 1875VAC for 1 second between 1-40; 38-3; 6-35; 33-8; 11-30; 28-13; 16-25; 23-18.
- INDUCTANCE: 1.2mH min., 10kHz, 100mVAC, 1-2; 3-4; 6-7; 8-9; 11-12; 13-14; 16-17; 18-19, Ls.
- LEAKAGE INDUCTANCE: 0.5uH max., 100kHz, 100mV, 1-2(tie 40+39); 3-4(tie 37+38); 6-7(tie 34+35); 8-9(tie 32+33); 11-12(tie 29+30); 13-14(tie 27+28); 16-17(tie 24+25); 18-19(tie 22+23), Ls.
- URNS RATIO: (1-2):(40-39); (3-4):(38-37); (6-7):(35-34); (8-9):(33-32); (11-12):(30-29); (13-14):(28-27); (16-17):(25-24); (18-19):(23-22) = 2.42:1, ±2%.
- INTERWINDING CAPACITANCE: 25pF max., 100kHz, 100mV, 1-40; 38-3; 6-35; 33-8; 11-30; 28-13; 16-25; 23-18, Cs.
- CROSSTALK: 50dB min. between any 2 transformers in package up to 6MHz.
- OPERATING TEMPERATURE RANGE: -40°C to +85°C.
- COPLANARITY: All 40 terminals must lie on a plane within .004[.10] of Surface A after lead tinning.

6B Designed to comply with the following requirements as defined by IEC950, EN60950, UL1950/CSA950 and AS/NZS3260:
- TNV-1 to SELV isolation.

DETAILS SUBJECT TO CHANGE

Midcom, Inc.
Watertown, SD USA
Toll Free: 800-643-2661
Fax: 605-886-4486

Unless otherwise specified:
Tolerances: Fractions: ±1/64
Angles: ±1° Decimals: ±.005[.127mm]
This drawing is dual dimensioned. Dimensions in brackets are in millimeters.

DRAWING TITLE
TRANSFORMER
PDFP-G40

Midcom

DRAWING NO.
50883R

REVISIONS: SEE SHEET 1

SCALE ---

SHEET 2 OF 7

REV.
6E
3/05

6E

AGENCY NUMBER	
UL 60950-1	E205930
CSA 60950-1 (Via Cut)	E205930

6D