

ELECTRICAL SPECIFICATIONS @ 25°C unless otherwise noted:

LONGITUDINAL BALANCE: 35dB min., 1.544MHz, per ITU Method (L->M).

D.C. RESISTANCE (@20°C): 1-3; 4-5; 6-8; 9-10; 11-13; 14-15; 16-18; 19-20; 23-21; 25-24; 28-26; 30-29; 33-31; 35-34; 38-36; 40-39, 0.70 ohms max.

INDUCTANCE: 1.2mH min., 10KHz, 100mVAC, 1-3; 6-8; 11-13; 16-18; 23-21; 28-26; 33-31; 38-36, 1s.

LEAKAGE INDUCTANCE: 0.5uH max., 100KHz, 100mVAC, 1-3(the 40+39); 6-8(the 35+34); 11-13(the 30+29); 16-18(the 25+24); 23-21(the 19+20); 28-26(the 14+15); 33-31(the 9+10); 38-36(the 4+5), 1s.

DIELECTRIC RATING: 1500VAC, 1 minute tested by applying 1875VAC for 1 second between 1-40; 38-4; 6-35; 33-9; 11-30; 28-14; 16-25; 23-19.

TURNS RATIO/POLARITY: (1-3):(40-39); (6-8):(35-34); (11-13):(30-29); (16-18):(25-24); (23-21):(19-20); (28-26):(14-15); (33-31):(9-10); (38-36):(4-5) = 1:1, ±2%.

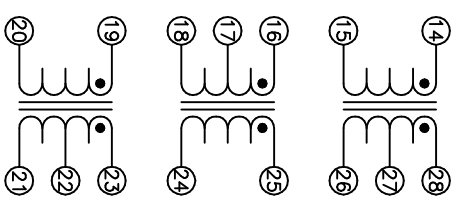
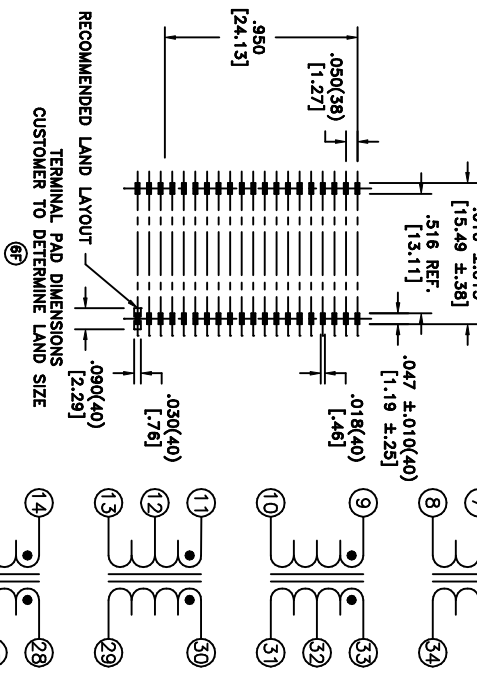
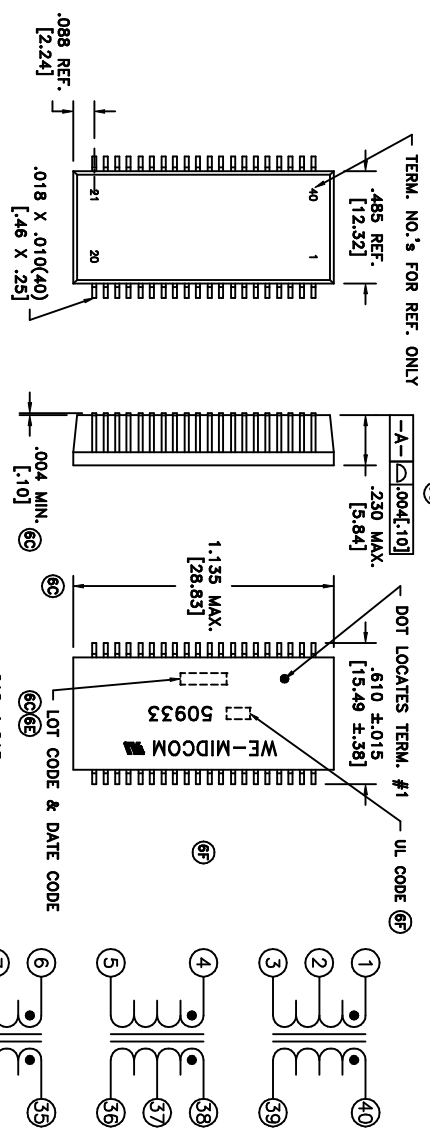
INTERWINDING CAPACTANCE: 25pF max., 100KHz, 100mV, 1-40; 38-4; 6-35; 33-9; 11-30; 28-14; 16-25; 23-19, Cs.

OPERATING TEMPERATURE RANGE: -40°C to +85°C.

COPLANARITY: All 40 terminals must lie on a plane within .004 [1.0] of Surface A after lead tinning.

DESIGN COMPLIANCE: Designed to comply with the following requirements as defined by IEC60950, EN60950, UL60950/CSA60950 and AS/NZS60950.

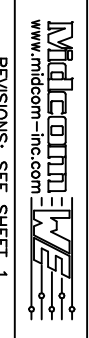
- TNY-1 to SELV isolation.



Ⓢ9 DETAILS SUBJECT TO CHANGE

Unless otherwise specified:
Fractions: ±1/64
Tolerances: ±.005 [1.27]
Angles: ±1°
Decimals: ±.005 [1.27]
This drawing is dual dimensioned. Dimensions in brackets are in millimeters.

DRAWING TITLE
TRANSFORMER
PDFP-G40



DRAWING NO. **50933R**
SCALE ---
SHEET 2 OF 7
REV. 6F 8/07

AGENCY NUMBER	UL CODE
UL60950-1 E205930	HC
CSA60950-1 E205930 (V/o CUL)	

Ⓢ9 FILE# E205930