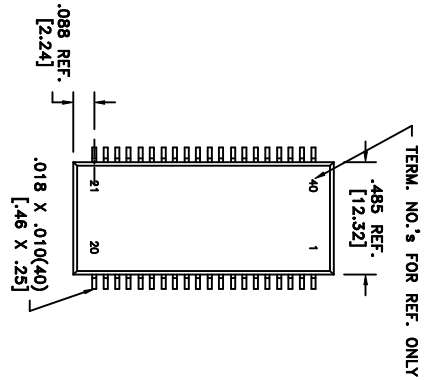
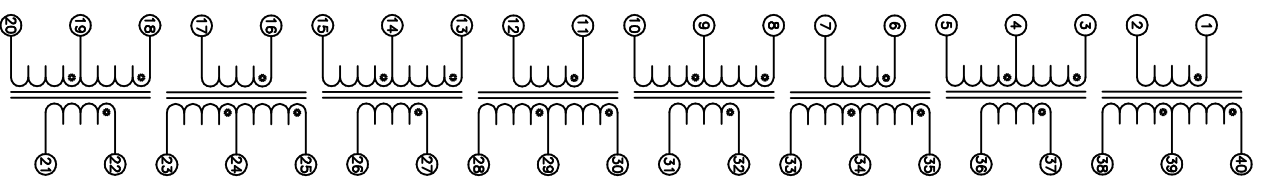
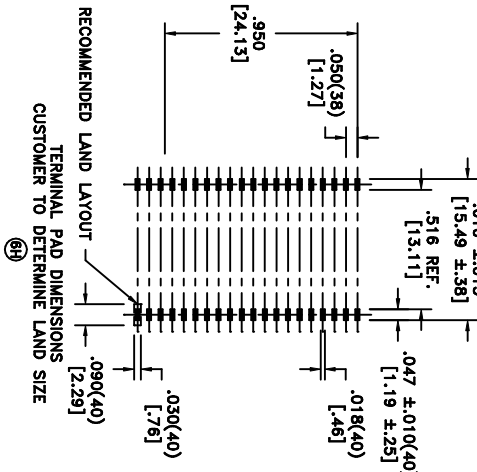
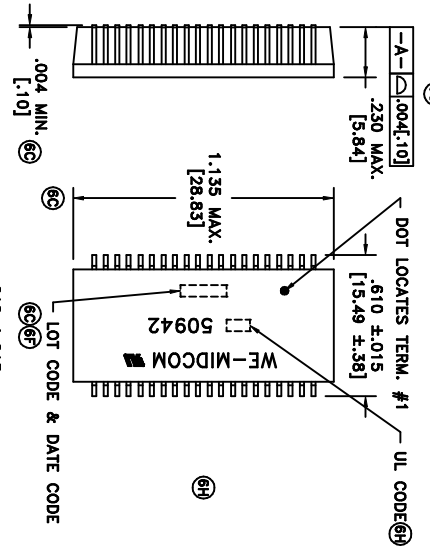


(B)



(C)



ELECTRICAL SPECIFICATIONS @ 25°C unless otherwise noted:

LONGITUDINAL BALANCE: 36dB min., 1.544MHz, per ITU Method (L->M).

D.C. RESISTANCE (@20°C): 1-2; 3-5; 6-7; 8-10; 11-12; 13-15; 16-17; 18-20; 21-22; 23-25; 26-27; 28-30; 31-32; 33-35; 36-37; 38-40, 0.70 ohms max.

DIELECTRIC RATING: 1500VAC, 1 minute tested by applying 1875VAC for 1 second between 1-40; 3-37; 6-35; 8-32; 11-30; 13-27; 16-25; 18-22.

INDUCTANCE: 1.2mH min., 10kHz, 100mVAC, 3-5; 8-10; 13-15; 16-20; 23-25; 28-30; 33-35; 38-40, 1s.

LEAKAGE INDUCTANCE: 0.5uH max., 100kHz, 100mVAC, 3-5(the 36+37); 8-10(the 31+32); 13-15(the 26+27); 18-20(the 21+22); 25-28(the 16+17); 30-28(the 11+12); 35-33(the 6+7); 40-38(the 1+2), 1s.

TURNS RATIO: (40-38):(1-2); (35-33):(6-7); (30-28):(11-12); (25-23):(16-17) = 2:1, ±2%; (3-5):(37-36); (8-10):(32-31); (13-15):(27-26); (18-20):(22-21) = 1:1, ±2%.

INTERWINDING CAPACITANCE: 25pF max., 100kHz, 100mV, 1-40; 3-37; 6-35; 8-32; 11-30; 13-27; 16-25; 18-22, Cs.

OPERATING TEMPERATURE RANGE: -40°C to +85°C.

Designed to comply with the following requirements as defined by IEC950, EN60950, UL1950/CSA950 and AS/NZS3260: - TNY-1 to SELV isolation.

Unless otherwise specified:
Fractions: ±1/64
Angles: ±1°
Tolerances:
Decimals: ±.005[.127]
This drawing is dual dimensioned. Dimensions in brackets are in millimeters.

REVISIONS: SEE SHEET 1

DRAWING TITLE
TRANSFORMER
PDFP-G40

www.mtdcomm-inc.com

DRAWING NO. **50942R**
SCALE ---
SHEET 2 OF 8
REV. 8/07

AGENCY NUMBER	UL CODE	HC
UL60950-1	E205930	
CSA60950-1	E205930	
(V/o CUL)		
UL CODE	FILE#	
	E205930	