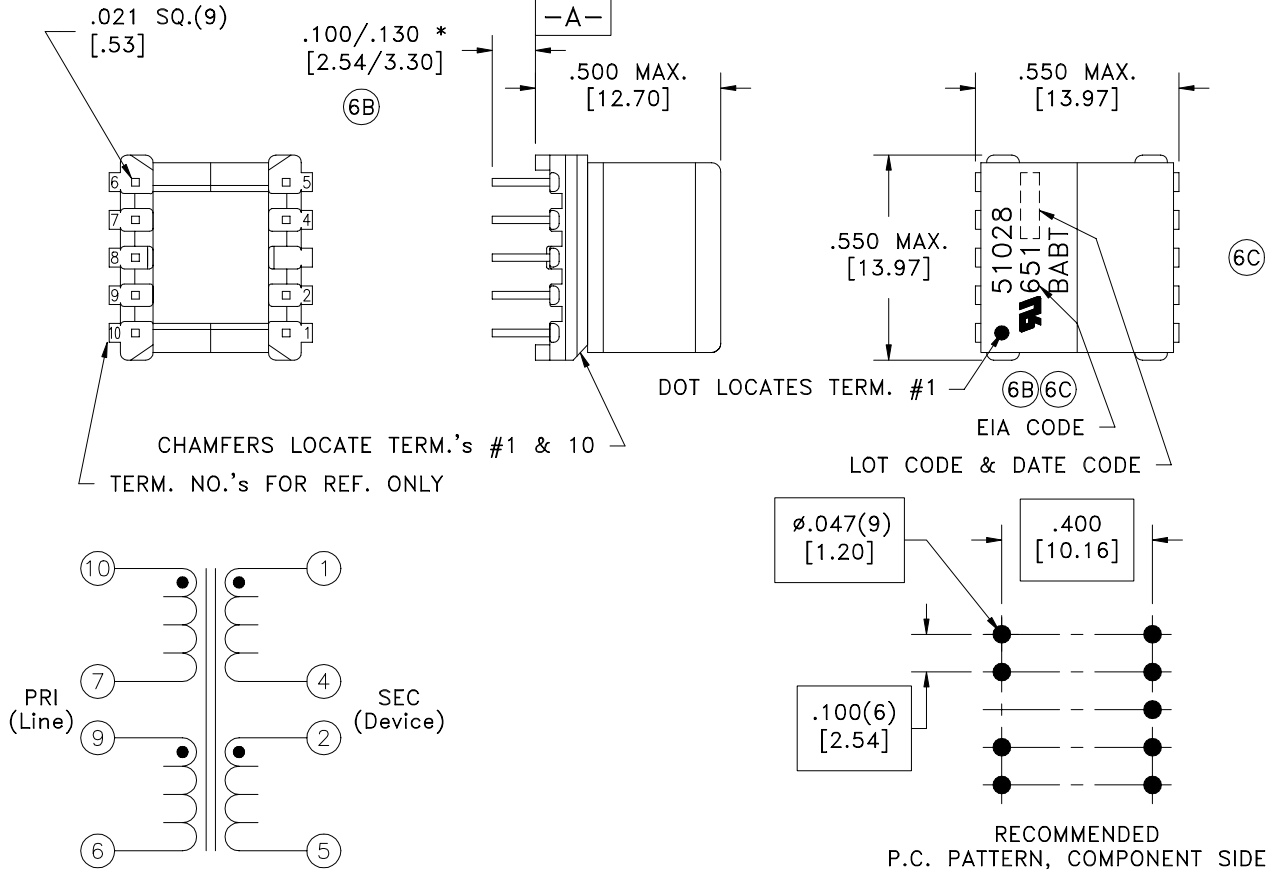


PART MUST INSERT FULLY TO SURFACE A IN RECOMMENDED GRID

* DIMENSION MAY BE EXCEEDED WITH SOLDER ONLY



ELECTRICAL SPECIFICATIONS @ 25°C unless otherwise noted:

- 6E LONGITUDINAL BALANCE: 60dB min., 20k - 250kHz, per ITU Method (L->M).
 D.C. RESISTANCE (@20°C):
 10-7, 1.04 ohms ±10%.
 9-6, 1.04 ohms ±10%.
 1-4, 0.690 ohms ±10%.
 2-5, 0.690 ohms ±10%.
- 6C DIELECTRIC RATING: 1500VAC, 1 minute tested by applying 1875VAC for 1 second between 10-1(tie 7+9, 2+4).
 INDUCTANCE: 474uH ±5%, 10kHz, 100mVAC, 10-6(tie 7+9), Ls.
 LEAKAGE INDUCTANCE: 15uH max., 10kHz, 100mVAC, 10-6(tie 7+9, 2+4, 1+5), Ls.
 TURNS RATIO:
 (9-6):(10-7) = 1:1, ±1%.
 (2-5):(1-4) = 1:1, ±1%.
 (10-6):(1-5) = 1.4:1, tie(7+9, 2+4), ±1%.
- 6B TOTAL HARMONIC DISTORTION: -80dB max., 100kHz, 5.3Vrms across PRI, 51 ohm load, 100 ohm input, tie(7+9, 2+4).
 INTERWINDING CAPACITANCE: 30pF max., 10kHz, 1.0VAC, 10-1(tie 7+9, 2+4), Cs.
- 6C OPERATING TEMPERATURE RANGE: -40°C to +85°C.

- 6B Designed to comply with the following requirements as defined by IEC950, EN60950, UL60950/CSA60950 and AS/NZS3260:
- 6C - Supplementary insulation for a primary circuit at a working voltage of 250Vrms.

6B 6C AGENCY NUMBER	
6D BAPT	NC/005589
UL 60950	E205930
CSA 60950 (Via CUL)	E205930
IEC 950 (Via CB cert.)	GB542W
ACA/AUSTEL (Via CB cert.)	GB542W
JAPAN (Via CB cert.)	GB542W

DETAILS SUBJECT TO CHANGE

Midcom, Inc.
 Watertown, SD USA
 Toll Free: 800-643-2661
 Fax: 605-886-4486

Unless otherwise specified:
 Tolerances: Fractions: ±1/64
 Angles: ±1° Decimals: ±.005[.13]

DRAWING TITLE
TRANSFORMER

Midcom

DRAWING NO.

51028

REV.

6E
 1/04

REVISIONS: SEE SHEET 1

SCALE ---

SHEET 2 OF 7

This drawing is dual dimensioned.
 Dimensions in brackets are in millimeters.

DWG.# 51028

6B