

PART MUST INSERT FULLY TO SURFACE A IN RECOMMENDED GRID

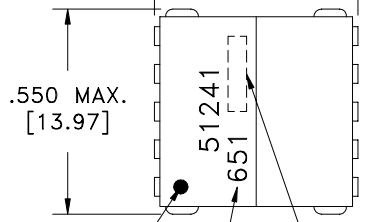
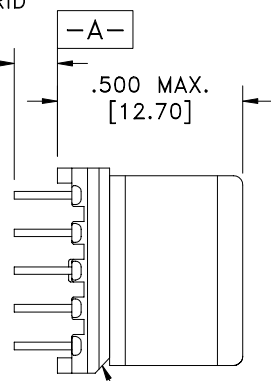
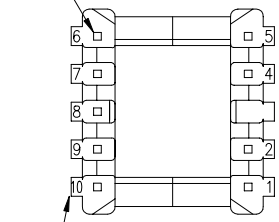
\* DIMENSION MAY BE EXCEEDED WITH SOLDER ONLY

.021 SQ.(9)  
[.53]

.100/.130 \*  
[2.54/3.30]

.500 MAX.  
[12.70]

.550 MAX.  
[13.97]



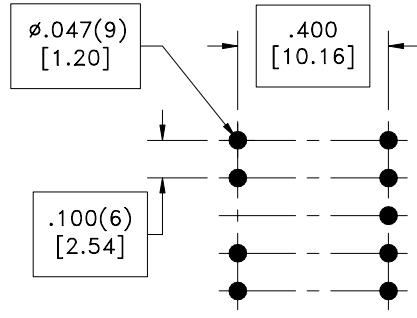
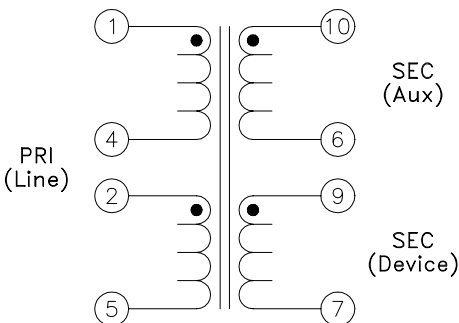
CHAMFERS LOCATE TERM.'s #1 & 10

TERM. NO.'s FOR REF. ONLY

DOT LOCATES TERM. #1

EIA CODE

LOT CODE & DATE CODE



RECOMMENDED P.C. PATTERN, COMPONENT SIDE

**ELECTRICAL SPECIFICATIONS @ 25°C unless otherwise noted:**

LONGITUDINAL BALANCE: 50dB min., 20k - 1.1MHz, per ITU Method (L->M).

D.C. RESISTANCE (@20°C):  
 1-4, 2.80 ohms ±10%.  
 2-5, 2.80 ohms ±10%.  
 9-7, 0.670 ohms ±10%.  
 10-6, 4.50 ohms ±10%.

Ⓟ DIELECTRIC RATING: 1500VAC, 1 minute tested by applying 1875VAC for 1 second between 1-10(tie 2+4, 6+9).

INDUCTANCE: 3mH ±8%, 10kHz, 1.0VAC, 0/80mADC, 1-5(tie 2+4), Ls.

LEAKAGE INDUCTANCE: 40uH max.(32uH typ.), 100kHz, 100mVAC, 1-5(tie 2+4, 7+9), Ls.

TURNS RATIO:  
 (1-5):(9-7) = 3.2:1, tie(2+4), ±1.5%.  
 (1-5):(10-6) = 3.2:1, tie(2+4), ±1.5%.

INTERWINDING CAPACITANCE: 55pF max., 10kHz, 1.0VAC, 1-9(tie 2+4), Cs.

TOTAL HARMONIC DISTORTION: -80dB max., 5kHz, 1.0Vrms across PRI, 11.7 ohm load, 135 ohm input, tie(2+4).

OPERATING TEMPERATURE RANGE: -40°C to +85°C.

Ⓟ Designed to comply with the following requirements as defined by IEC60950, EN60950, UL60950/CSA60950 and AS/NZS60950:  
 - Supplementary insulation for a primary circuit at a working voltage of 250Vrms.

DETAILS SUBJECT TO CHANGE

**Midcom, Inc.**  
 Watertown, SD USA  
 Toll Free: 800-643-2661  
 Fax: 605-886-4486

Unless otherwise specified:  
 Tolerances: Fractions: ±1/64  
 Angles: ±1° Decimals: ±.005[.13]

DRAWING TITLE  
**TRANSFORMER**

Midcom

DRAWING NO.

**51241**

REV.

6B  
1/04

REVISIONS: SEE SHEET 1

SCALE ---

SHEET 2 OF 7

This drawing is dual dimensioned.  
 Dimensions in brackets are in millimeters.

DWG # 51241