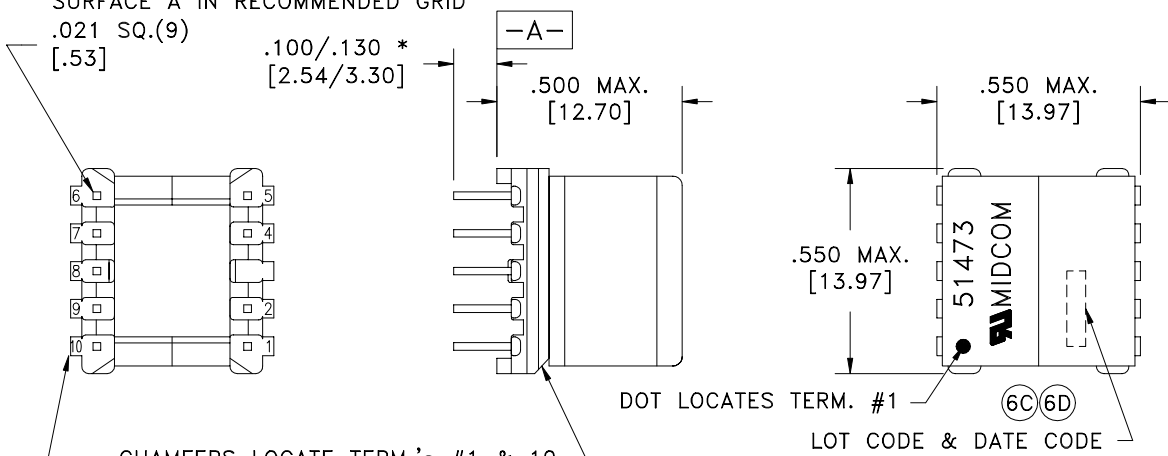
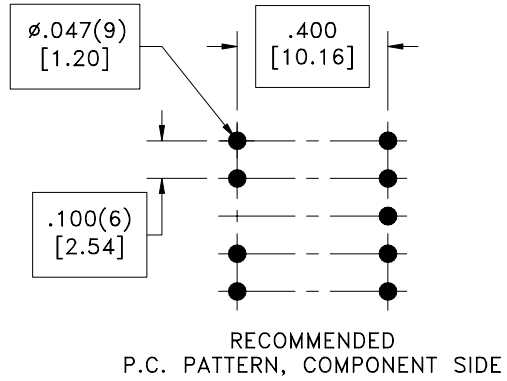
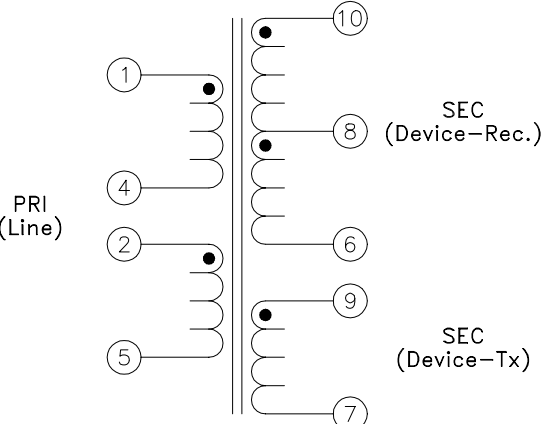


PART MUST INSERT FULLY TO SURFACE A IN RECOMMENDED GRID
 .021 SQ.(9)
 [.53]

* DIMENSION MAY BE EXCEEDED WITH SOLDER ONLY



CHAMFERS LOCATE TERM.'s #1 & 10
 TERM. NO.'s FOR REF. ONLY



ELECTRICAL SPECIFICATIONS @ 25°C unless otherwise noted:

- LONGITUDINAL BALANCE: 40dB min., 20k - 1.1MHz, per ITU Method (L->M).
- D.C. RESISTANCE (@20°C): 1-4, 1.20 ohms ±10%. 9-7, 0.175 ohms ±10%.
 2-5, 1.20 ohms ±10%. 10-6, 0.760 ohms ±10%.
- INSERTION LOSS: 0.5dB max., 100kHz, 5.5 ohm load.
- DIELECTRIC RATING: 1500VAC, 1 minute tested by applying 1875VAC for 1 second between 1-10(tie 2+4, 6+9).
- INDUCTANCE: 3mH ±10%, 10kHz, 100mVAC, 1-5(tie 2+4), Ls.
- LEAKAGE INDUCTANCE: 15uH max., 100kHz, 100mVAC, 1-5(tie 2+4, 7+9), Ls.
- TURNS RATIO: (1-5):(9-7) = 4.25:1, tie(2+4), ±1.5%.
 (1-5):(10-6) = 2.5:1, tie(2+4), ±3%.
- INTERWINDING CAPACITANCE: 50pF max., 10kHz, 1.0VAC, 1-9(tie 2+4), Cs.
- TOTAL HARMONIC DISTORTION: -80dB max., 30kHz, 4Vrms across PRI, 5.5 ohm load, 100 ohm input, tie(2+4).
- OPERATING TEMPERATURE RANGE: -40°C to +85°C.

Designed to comply with the following requirements as defined by IEC60950, EN60950, UL60950/CSA60950 and AS/NZS60950:
 - Supplementary insulation for a primary circuit at a working voltage of 250Vrms.

(6C)	
AGENCY NUMBER	
UL 60950	E205930
CSA 60950 (Via CUL)	E205930

DETAILS SUBJECT TO CHANGE

Midcom, Inc. Watertown, SD USA Toll Free: 800-643-2661 Fax: 605-886-4486	Unless otherwise specified: Tolerances: Fractions: ±1/64 Angles: ±1° Decimals: ±.005[.13]	Midcom	DWG # 51473
	TRANSFORMER	DRAWING NO. 51473	
This drawing is dual dimensioned. Dimensions in brackets are in millimeters.	REVISIONS: SEE SHEET 1	SCALE ---	SHEET 2 OF 7