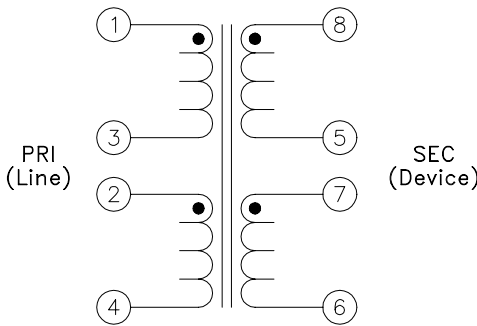
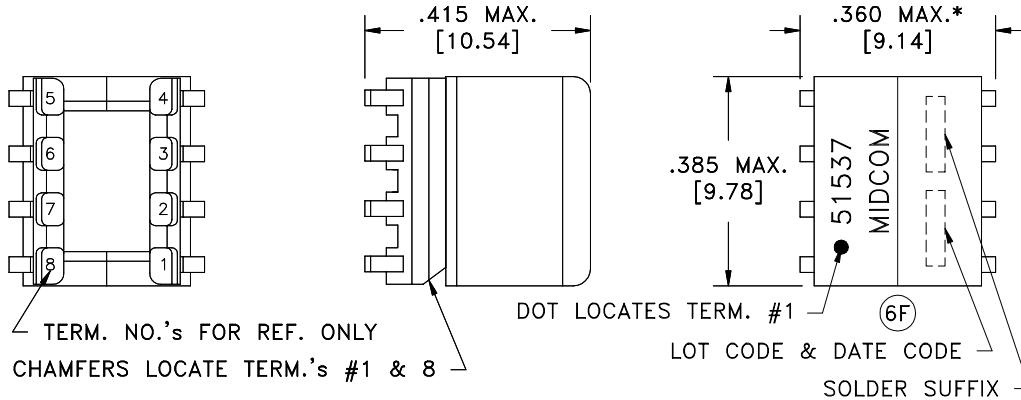


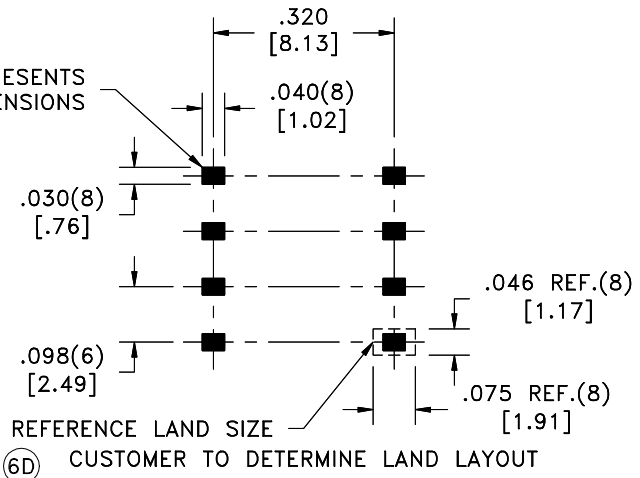
PART NUMBER	SOLDER SUFFIX	SOLDER
51537R		Sn63%, Pb37%
51537R-LF1	LF1	Sn96%, Ag4%

6F

* DIMENSION MAY BE EXCEEDED WITH SOLDER ONLY



AREA REPRESENTS
TERMINAL PAD DIMENSIONS



ELECTRICAL SPECIFICATIONS @ 25°C unless otherwise noted:

- LONGITUDINAL BALANCE: 46dB min., 20k - 1.1MHz, per ITU Method (L->M).
- D.C. RESISTANCE (@20°C):
 - 1-3, 0.43 ohms ±10%.
 - 2-4, 0.43 ohms ±10%.
 - 8-5, 0.56 ohms ±10%.
 - 7-6, 0.56 ohms ±10%.
- DIELECTRIC RATING: 1500VAC, 1 minute tested by applying 1875VAC for 1 second between 1-8(tie 2+3, 5+7).
- INDUCTANCE: 122uH ±10%, 10kHz, 100mVAC, 1-4(tie 2+3), Ls.
- LEAKAGE INDUCTANCE: 4uH max., 100kHz, 100mVAC, 6-8(tie 2+3, 5+7, 1+4), Ls.
- TURNS RATIO: (1-4):(8-6) = 1.1:1, tie(2+3, 5+7), ±1%.
- INTERWINDING CAPACITANCE: 40pF max., 10kHz, 1.0VAC, 1-8(tie 2+3, 5+7), Cs.
- TOTAL HARMONIC DISTORTION: -80dB max., 100kHz, 2.0Vrms across PRI, 83 ohm load, 100 ohm input, tie(2+3, 5+7).

Designed to comply with the following requirements as defined by IEC60950, EN60950, UL60950/CSA60950 and AS/NZS60950:
- Supplementary insulation for a primary circuit at a working voltage of 250Vrms.

DETAILS SUBJECT TO CHANGE

6B

AGENCY NUMBER	
BABT	NC/11598
UL 60950	E205930
CSA 60950 (Via CUL)	E205930
IEC 60950	*NO 30866
ACA/AUSTEL	*NO 30866
JAPAN	*NO 30866
*DEMONSTRATES TO COMPLY VIA NEMKO TEST REPORT.	

Midcom, Inc.
Watertown, SD USA
Toll Free: 800-643-2661
Fax: 605-886-4486

This drawing is dual dimensioned.
Dimensions in brackets are in millimeters.

Unless otherwise specified:
Tolerances: Fractions: ±1/64
Angles: ±1° Decimals: ±.005[.13]

DRAWING TITLE
TRANSFORMER

REVISIONS: SEE SHEET 1

Midcom

DRAWING NO. 51537R/-LF1 6F REV. 6F 12/04

SCALE --- SHEET 2 OF 6

DWG # 51537R/-LF1