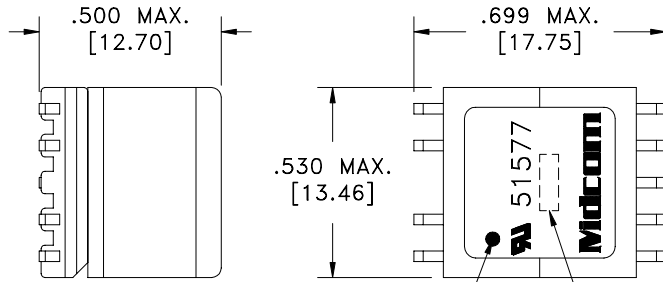
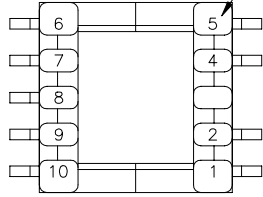
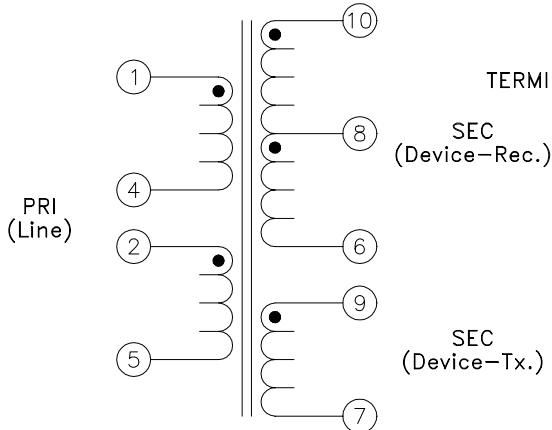


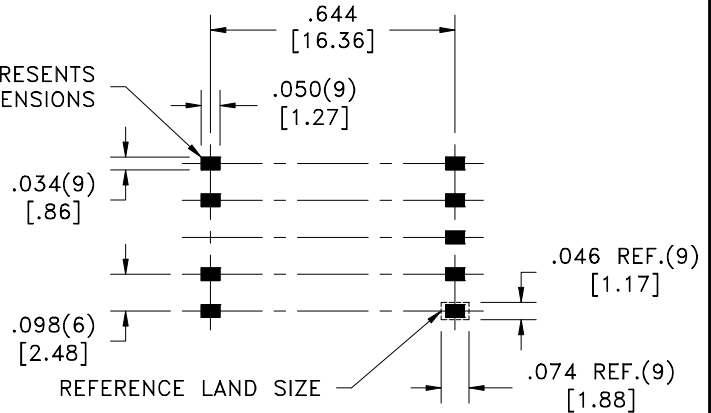
TERM. NO.'s FOR REF. ONLY



DOT LOCATES TERM. #1 (6B)  
LOT CODE & DATE CODE



AREA REPRESENTS  
TERMINAL PAD DIMENSIONS



CUSTOMER TO DETERMINE LAND LAYOUT

**ELECTRICAL SPECIFICATIONS @ 25°C unless otherwise noted:**

- LONGITUDINAL BALANCE: 40dB min., 20k - 1.1MHz, per ITU Method (L->M).
- D.C. RESISTANCE (@20°C): 1-4, 1.20 ohms ±10%      9-7, 0.175 ohms ±10%.  
2-5, 1.20 ohms ±10%      10-6, 0.760 ohms ±10%.
- INSERTION LOSS: 0.5dB max., 100kHz, 5.5 ohm load.
- DIELECTRIC RATING: 1500VAC, 1 minute tested by applying 1875VAC for 1 second between 1-10(tie 2+4, 6+9).
- INDUCTANCE: 3mH ±10%, 10kHz, 100mVAC, 1-5(tie 2+4), Ls.
- LEAKAGE INDUCTANCE: 15uH max., 100kHz, 100mVAC, 1-5(tie 2+4, 7+9), Ls.
- TURNS RATIO: (1-5):(9-7) = 4.25:1, tie(2+4), ±1.5%.  
(1-5):(10-6) = 2.5:1, tie(2+4), ±3%.
- INTERWINDING CAPACITANCE: 50pF max., 10kHz, 1.0VAC, 1-9(tie 2+4), Cs.
- TOTAL HARMONIC DISTORTION: -80dB max., 30kHz, 4Vrms across PRI, 5.5 ohm load, 100 ohm input, tie(2+4).
- OPERATING TEMPERATURE RANGE: -40°C to +85°C.

Designed to comply with the following requirements as defined by IEC60950, EN60950, UL60950/CSA60950 and AS/NZS60950:  
- Supplementary insulation for a primary circuit at a working voltage of 250Vrms.

(6B)

AGENCY NUMBER	
UL 60950	E205930
CSA 60950 (Via CUL)	E205930

**Midcom, Inc.**  
Watertown, SD USA  
Toll Free: 800-643-2661  
Fax: 605-886-4486

Unless otherwise specified:  
Tolerances: Fractions: ±1/64  
Angles: ±1° Decimals: ±.005[.13]

DRAWING TITLE  
**TRANSFORMER**

**Midcom**

DRAWING NO. **51577R**      REV. 6C  
1/04

REVISIONS: SEE SHEET 1

SCALE --- SHEET 2 OF 7

This drawing is dual dimensioned.  
Dimensions in brackets are in millimeters.

DWG.# 51577R