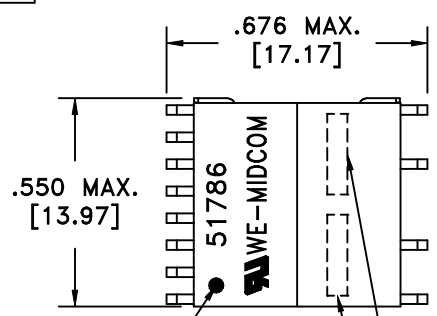
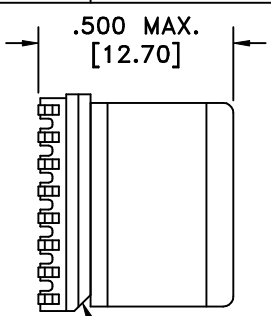
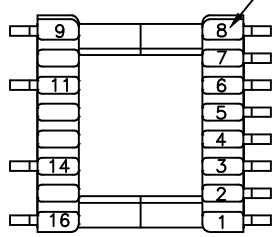


SOLDER SUFFIX	CUSTOMER TERMINAL	RoHS	LEAD(Pb)-FREE	(6F)
	Sn63%, Pb37%	No	No	
LF1	Sn96%, Ag4%	Yes	Yes	

TERM. NO.'s FOR REF. ONLY



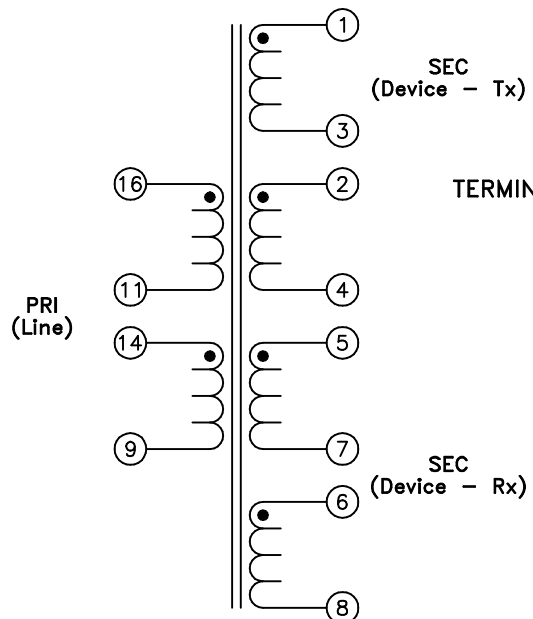
CHAMFERS LOCATE TERM.'s #1 & 16

DOT LOCATES TERM. #1

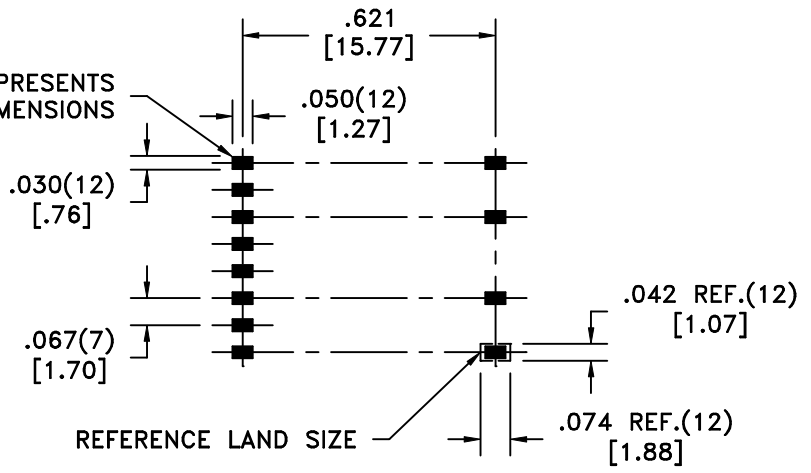
(6E)(6F)

LOT CODE & DATE CODE

SOLDER SUFFIX



AREA REPRESENTS TERMINAL PAD DIMENSIONS



REFERENCE LAND SIZE

CUSTOMER TO DETERMINE LAND LAYOUT

ELECTRICAL SPECIFICATIONS @ 25°C unless otherwise noted:

- LONGITUDINAL BALANCE: 55dB min., 35k - 650kHz, per ITU Method (L->M).
- (6B) D.C. RESISTANCE (@20°C): 16-11, 1.90 ohms ±10%. 2-4, 0.435 ohms ±10%.
14-9, 1.35 ohms ±10%. 5-7, 0.770 ohms ±10%.
1-3, 0.435 ohms ±10%. 6-8, 0.770 ohms ±10%.
- INSERTION LOSS: 1.0dB max., 150kHz, 6.25 ohm load.
- DIELECTRIC RATING: 1500VAC, 1 minute tested by applying 1875VAC for 1 second between 16-1(tie 11+14, 2+3); 16-5(tie 11+14, 6+7).
- INDUCTANCE: 700uH ±6%, 10kHz, 100mVAC, 16-9(tie 11+14), Ls.
- (6B) LEAKAGE INDUCTANCE: 30uH max., 100kHz, 100mVAC, 16-9(tie 11+14, 2+3, 1+4), Ls.
28uH max., 100kHz, 100mVAC, 16-9(tie 11+14, 6+7, 5+8), Ls.
- URNS RATIO: (16-9):(1-4) = 4:1, tie(11+14, 2+3), ±1%.
(16-9):(5-8) = 2:1, tie(11+14, 6+7), ±1%.
- TOTAL HARMONIC DISTORTION: -88dB max., 20kHz, 15Vp-p across PRI, 5.6 ohm load on transmit and 300 ohm load on receive, 100 ohm input, tie(11+14, 2+3, 6+7).
- INTERWINDING CAPACITANCE: 50pF max., 100kHz, 100mVAC, 16-1(tie 11+14, 2+3); 16-5(tie 11+14, 6+7), Cs.
- OPERATING TEMPERATURE RANGE: -40°C to +85°C.

Designed to comply with the following requirements as defined by IEC60950, EN60950, UL60950/CSA60950 and AS/NZS60950:

- Supplementary insulation for a primary circuit at a working voltage of 250Vrms.
Midcom p/n 51786R-LF1 is eiSos p/n: 750051786.

(6C) AGENCY NUMBER	
UL60950	E205930
CSA60950 (Via CUL)	E205930

DETAILS SUBJECT TO CHANGE

Unless otherwise specified:
Tolerances:
Angles: ±1°
Fractions: ±1/64
Decimals: ±.005[.13]

This drawing is dual dimensioned.
Dimensions in brackets are in millimeters.

DRAWING TITLE
TRANSFORMER

eiSos p/n: 750051786

REVISIONS: SEE SHEET 1

Midcom WE
www.midcom-inc.com

DRAWING NO. (6F) **51786R/-LF1**

REV. 6H 7/07

SCALE --- SHEET 2 OF 7

DWG.# 51786R/-LF1