



**Mini Series  
Common Mode Chokes**

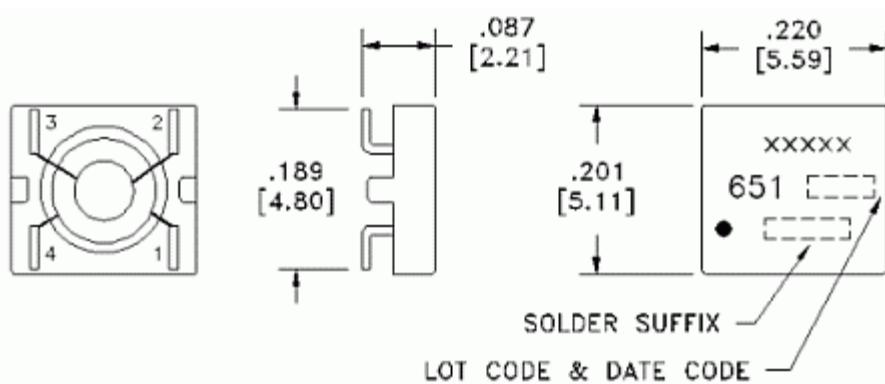
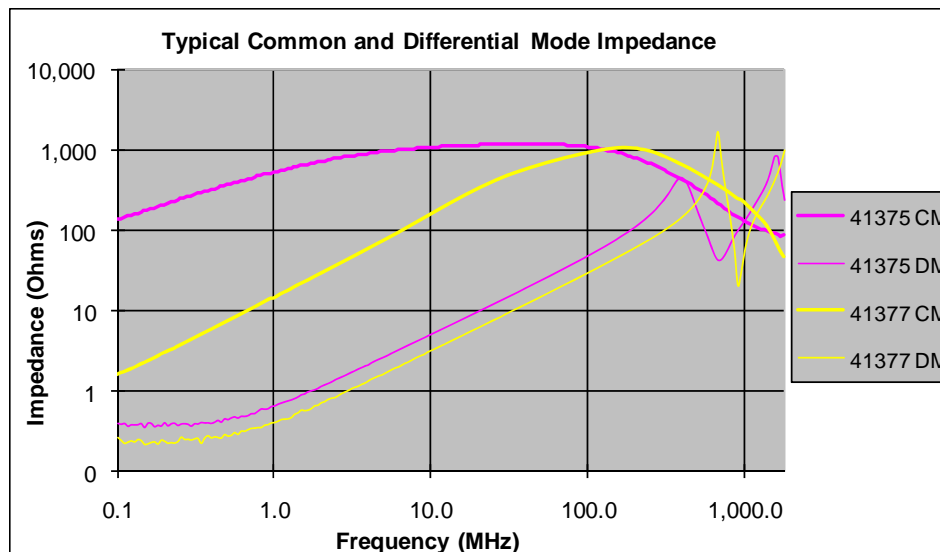
**Midcom**

*Common Mode Chokes*

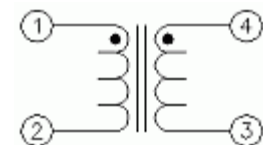
**Features**

- Low Profile
- Small size
- Excellent EMI reduction
- Surface mount design
- Good isolation

Part Number	Port Config	No. of Winds	Inductance L(uH)	Current I(mADC)	Pin Style	Number of Pins	RoHS	Mechanical	Schematic
41377R-LF1	SINGLE	2	2.2	700	SMD	4	YES	1	1
41375R-LF1	SINGLE	2	178	700	SMD	4	YES	1	1



Mechanical 1



Schematic 1