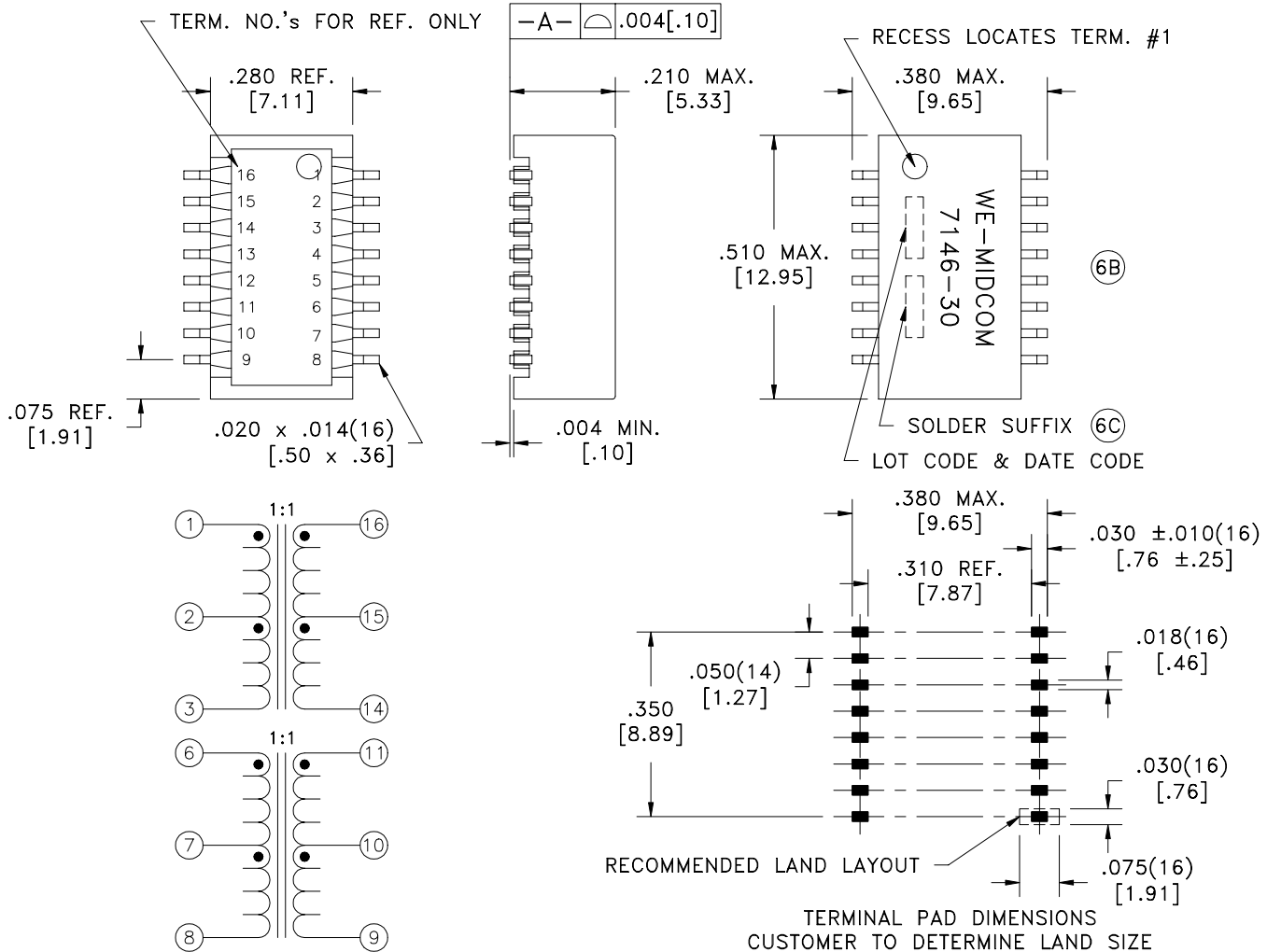


SOLDER SUFFIX	CUSTOMER TERMINAL	RoHS	LEAD(Pb)-FREE	(6C)
	Sn63%, Pb37%	No	No	
LF1	Sn96%, Ag4%	Yes	Yes	



**ELECTRICAL SPECIFICATIONS @ 25°C unless otherwise noted:**

- D.C. RESISTANCE: 1-3, 0.2 ohms max. 6-8, 0.2 ohms max.  
16-14, 0.2 ohms max. 11-9, 0.2 ohms max.
- DIELECTRIC RATING: 1500Vrms, 1 minute tested by applying 1800Vrms for 1 second between Input-Output.
- INDUCTANCE: 36uH min., 100kHz, 100mVAC, 16-14; 11-9, Lp.
- LEAKAGE INDUCTANCE: 100nH max., 100kHz, 100mVAC, 1-3(tie 16+14); 6-8(tie 11+9), Ls.
- TURNS RATIO & POLARITY: (1-3):(16-14) = 1:1, ±2%. (6-8):(11-9) = 1:1, ±2%.
- INTERWINDING CAPACITANCE: 5pF max., 100kHz, 100mVAC, 1-16(tie 1+3, 16+14); 6-11(tie 6+8, 11+9), Cs.
- CROSSTALK: -40dB min., 1M - 100MHz.
- OPERATING TEMPERATURE RANGE: 0°C to +70°C.
- COPLANARITY: All 16 terminals must lie on a plane within .004 [.10] of Surface A after lead tinning.

Midcom p/n 000-7146-30R-LF1 is eiSos p/n: 750540004.

Unless otherwise specified: Tolerances: Angles: ±1° Fractions: ±1/64 Decimals: ±.005[.13]	DRAWING TITLE <h2 style="text-align: center;">TRANSFORMER</h2> <h3 style="text-align: center;">EDSO-G16</h3> eiSos p/n: 750540004	 www.midcom-inc.com	DWG # 000-7146-30R-LF1
	This drawing is dual dimensioned. Dimensions in brackets are in millimeters.	REVISIONS: SEE SHEET 1	DRAWING NO. (6C) REV. 6C <b>000-7146-30R/-LF1</b> 7/07