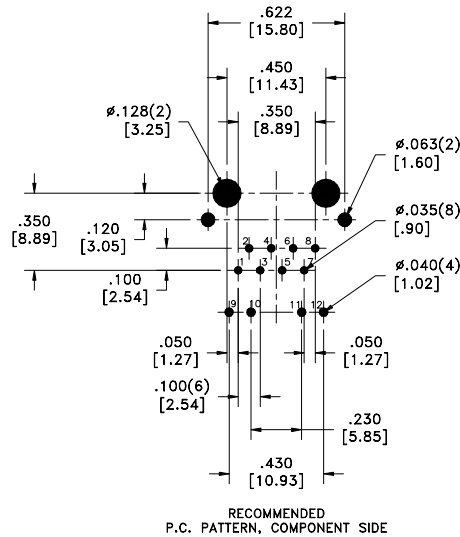
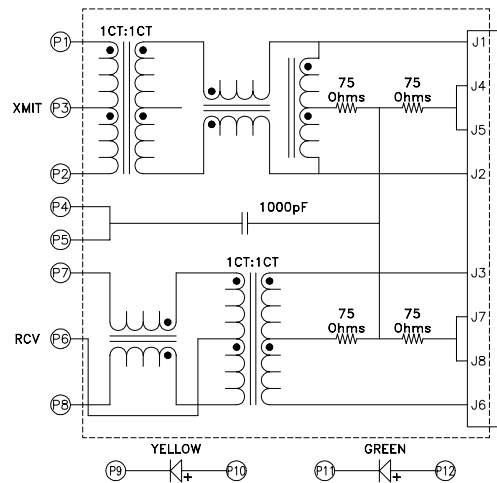
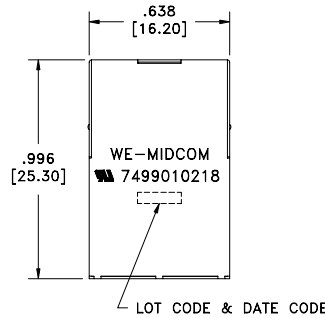
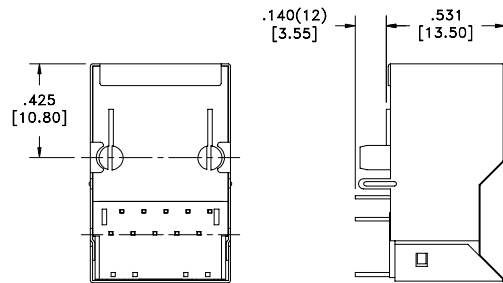
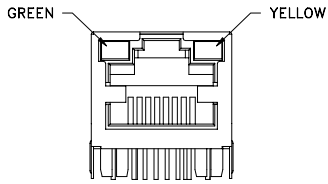


CUSTOMER TERMINAL	RoHS	LEAD(Pb)-FREE
Sn100%	Yes	Yes



**ELECTRICAL SPECIFICATIONS @ 25°C unless otherwise noted:**

PARAMETER	TEST CONDITIONS	VALUE
INDUCTANCE	J1-J2 100kHz, 100mVAC, 8mADC, Ls	350uH min.
INDUCTANCE	J3-J6 100kHz, 100mVAC, 8mADC, Ls	350uH min.
DIELECTRIC	P1-J1 tie(P2+P7, J2+J3)	1500Vrms, 1 minute
TURNS RATIO	(P1-P2):(J1-J2)	1:1, ±2%
TURNS RATIO	(P7-P8):(J3-J6)	1:1, ±2%
INSERTION LOSS	1M - 100MHz	-1.0dB max.
RETURN LOSS	1M - 30MHz	-18dB min.
RETURN LOSS	30M - 45MHz	-16dB min.
RETURN LOSS	45M - 60MHz	-14dB min.
RETURN LOSS	60M - 80MHz	-12dB min.
CROSSTALK	1M - 100MHz	-35dB min.
COMMON MODE REJECTION	1M - 100MHz	-35dB min.



**GENERAL SPECIFICATIONS:**

OPERATING TEMPERATURE RANGE: 0°C to +70°C.

REV.	DATE
6A	3/08

Packaging Specifications  
 Method: Tube  
 PKG-0549  
 www.midcom-inc.com

Unless otherwise specified:  
 Tolerances: Fractions: ±1/64  
 Angles: ±1° Decimals: ±.010 [25]  
 This drawing is dual dimensioned. Dimensions in brackets are in millimeters.

DRAWING TITLE  
**TRANSFORMER**  
 10/100M  
 eiSos p/n: 7499010218



DRAWING NO.  
**7499010218**

REVISIONS: SEE SHEET 1

SCALE ---

AGENCY NUMBER	
UL60950-1	E205930

SHEET 2 OF 6