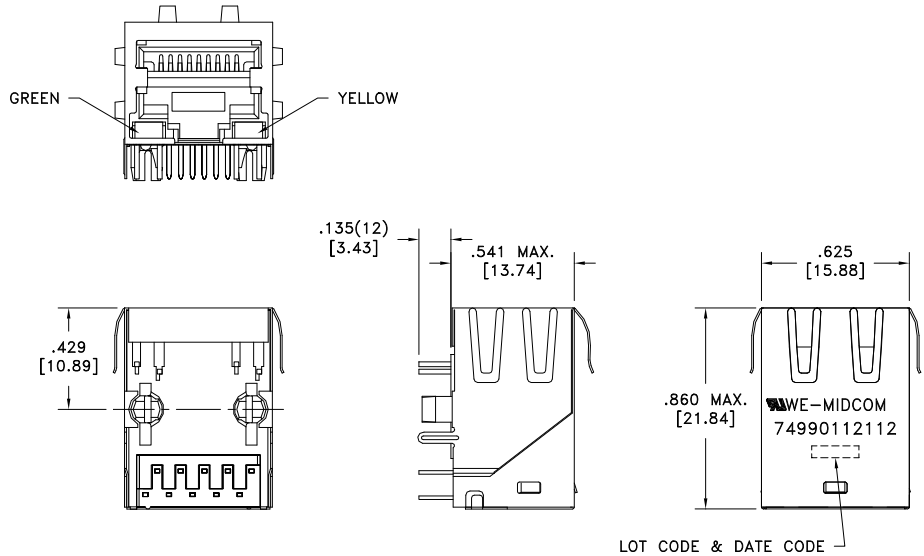


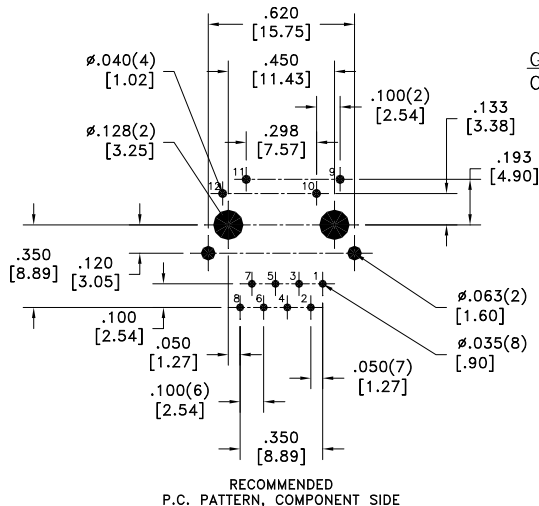
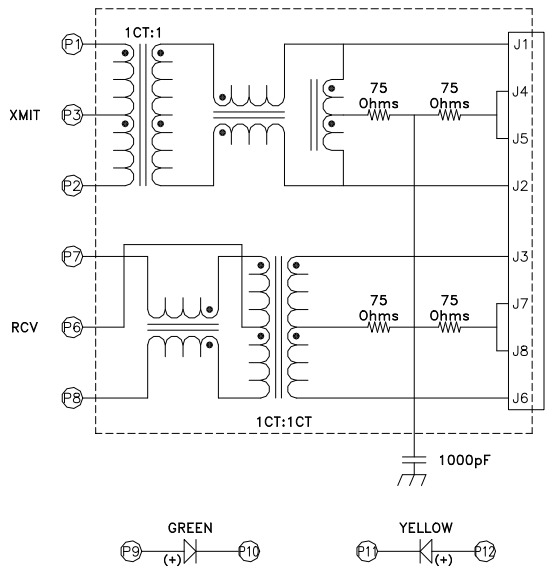
CUSTOMER TERMINAL	RoHS	LEAD(Pb)-FREE
Sn100%	Yes	Yes



ELECTRICAL SPECIFICATIONS @ 25°C unless otherwise noted:



PARAMETER	TEST CONDITIONS	VALUE	
INDUCTANCE	J1-J2	100kHz, 100mVAC, 8mADC, Lp	350uH min.
INDUCTANCE	J3-J6	100kHz, 100mVAC, 8mADC, Lp	350uH min.
DIELECTRIC	PRI-SEC	-	2250VDC, 1 minute
URNS RATIO	(P1-P2):(J1-J2)		1:1, ±2%
URNS RATIO	(P7-P8):(J3-J6)		1:1, ±2%
INSERTION LOSS	1M-100MHz		-1.0dB max.
RETURN LOSS	1M - 30MHz		-16dB min.
RETURN LOSS	30M - 45MHz		-14dB min.
RETURN LOSS	45M - 60MHz		-12dB min.
RETURN LOSS	60M - 80MHz		-10dB min.
CROSSTALK	1M - 100MHz		-35dB min.
COMMON MODE REJECTION	1M - 100MHz		-35dB min.



GENERAL SPECIFICATIONS:
OPERATING TEMPERATURE RANGE: -40°C to +85°C.

REV.	DATE
6A	4/08

AGENCY NUMBER	
UL60950-1	E205930

Packaging Specifications
Method: Tube
PKG-0524
www.midcom-inc.com

Unless otherwise specified:
Tolerances: Fractions: ±1/64
Angles: ±1° Decimals: ±.010[.25]
This drawing is dual dimensioned. Dimensions in brackets are in millimeters.

DRAWING TITLE
TRANSFORMER
10/100Mbps
eiSos p/n: 74990112112

Midcom
www.midcom-inc.com

DRAWING NO.
74990112112
REVISIONS: SEE SHEET 1
SCALE ---
SHEET 2 OF 6