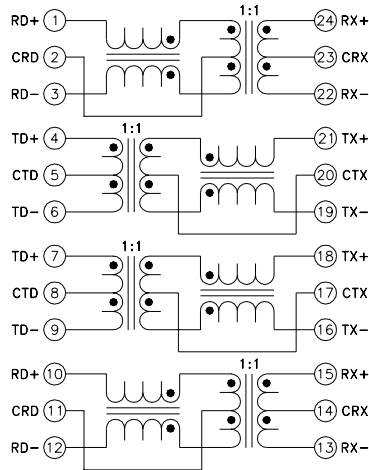
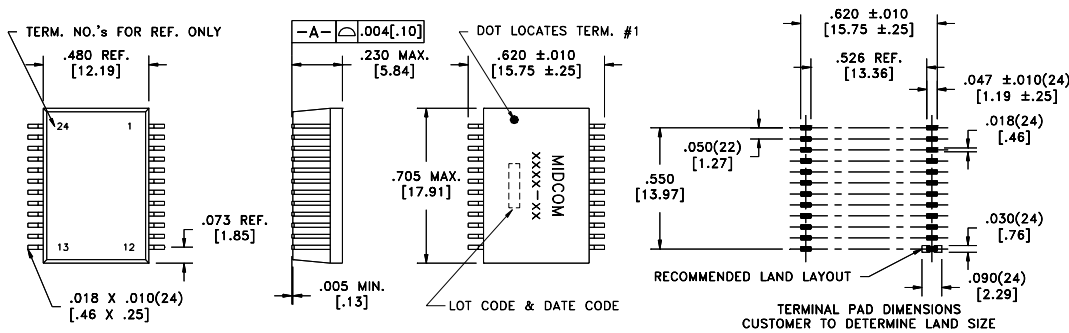


## Discrete Dual Port 10/100 Base-T PDFP-G24



### Features

- Meets IEEE 802.3 standards
- Surface mount
- Transfer mold package
- Optional pin-outs
- Industry standard connector footprint
- Optimum performance
- Cost Effective
- Both RoHS compliant and lead-terminal parts available



### AutoMDIX Operating Temp.

| Part Number | Turns Ratio | Compatible | Range        |
|-------------|-------------|------------|--------------|
| 000-7142-37 | 1CT:1CT     | No         | 0°C to +70°C |

### Typical Common Electrical Characteristics

|                       |             |                        |
|-----------------------|-------------|------------------------|
| Inductance            | 350uH Min.  | 0.1Vrms, 100kHz, 8mADC |
| Dielectric Rating     | 1500VAC     | for 1 minute           |
| Insertion Loss        | -1.1dB max. | 1MHz-100MHz            |
| Return Loss           | -18dB min.  | 1MHz-30MHz             |
|                       | -16dB min.  | 30MHz-40MHz            |
|                       | -14dB min.  | 40MHz-60MHz            |
|                       | -12dB min.  | 60MHz-80MHz            |
| Cross Talk            | -35dB min.  | 1MHz-100MHz            |
| Common Mode Rejection | -35dB min.  | 1MHz-100MHz            |

Details subject to change. Contact your Midcom sales representative for additional information. Dimensions: in/mm. All tolerances are ±.010/0.25 and electrical specifications are @25°C unless otherwise specified.