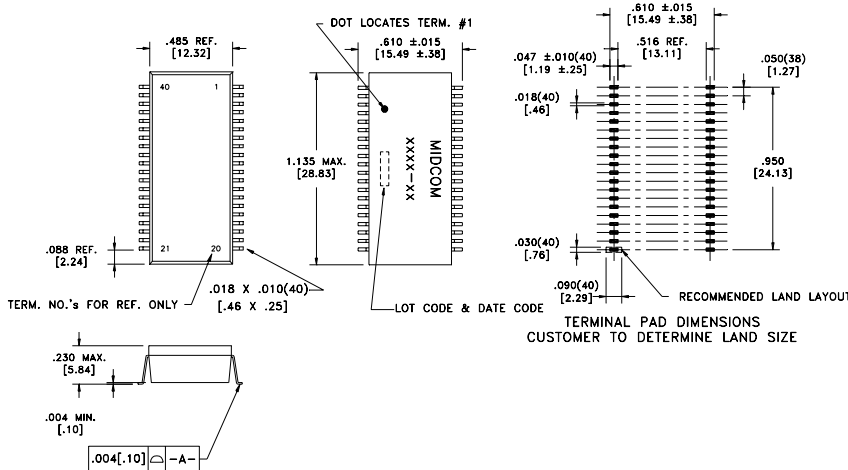


Discrete Dual Port 10/100 Base-T PDFP-G40



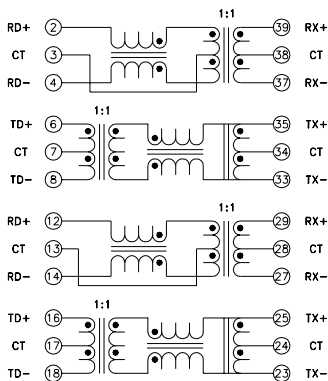
Features

- Meets IEEE 802.3 standards
- Dual port configuration
- Surface mount
- Transfer mold package
- Optional pin-outs
- Industry standard connector footprint
- Optimum performance
- Cost Effective
- Both RoHS compliant and lead-terminal parts available

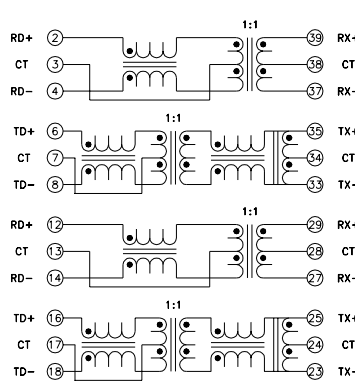
Part Number	Turns Ratio	AutoMDIX Compatible	Operating Temp. Range	Schematic
000-6809-37	1CT:1CT	No	0°C to +70°C	1
000-6815-37	1CT:1CT	No	0°C to +70°C	2
000-6824-37	1CT:1CT	Yes	0°C to +70°C	3

Common Electrical Characteristics

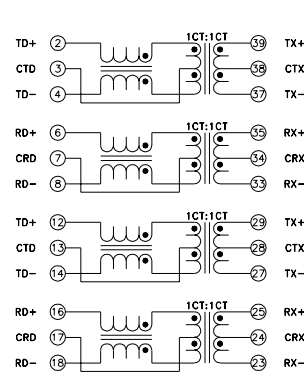
Inductance	350uH Min.	0.1Vrms, 100kHz, 8mADC
Dielectric Rating	1500VAC	for 1 minute
Insertion Loss	-1.1dB max.	500kHz-100MHz
Return Loss	-18dB min.	500kHz-30MHz
	-16dB min.	30MHz-45MHz
	-14dB min.	45MHz-60MHz
	-12dB min.	60MHz-80MHz
	-10dB min.	80MHz-100MHz
Cross Talk	-35dB min.	500kHz-100MHz
Common Mode Rejection	-30dB min.	1MHz-100MHz
Diff. To Common Mode Rejection	-35dB min.	1MHz-100MHz



Schematic 1



Schematic 2



Schematic 3

Details subject to change. Contact your Midcom sales representative for additional information. Dimensions: in/mm. All tolerances are ±.010/0,.25 and electrical specifications are @25°C unless otherwise specified.