



Discrete Single Port Gigabit PDFP-G24

LANDatacom

Features

- Meets IEEE 802.3 standard
- Surface mount
- Transfer mold package
- Optional pin-outs
- Industry standard footprint
- Optimum performance
- Cost Effective
- RoHS compliant

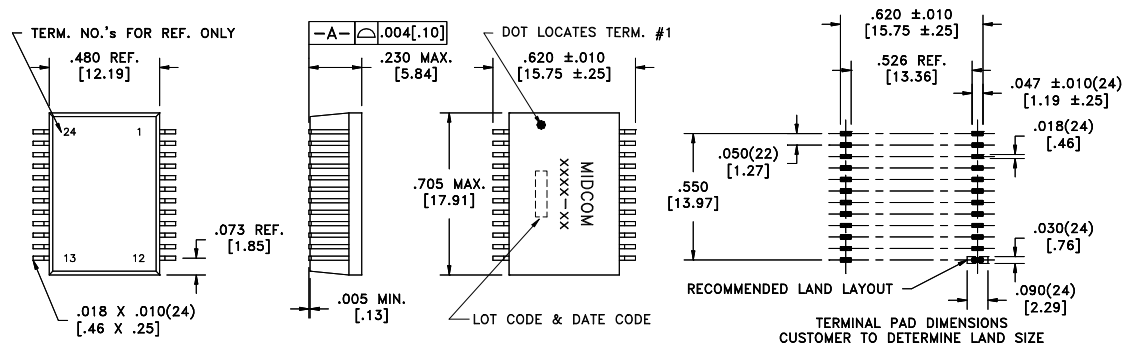
Typical Common Electrical Characteristics¹

Inductance	350uH Min.	0.1Vrms, 100kHz, 8mADC
Dielectric Rating	1500VAC	for 1 minute
Insertion Loss	-1.0dB max.	300kHz-125MHz
Return Loss	-18dB min.	500kHz-40MHz
	-15dB min.	40MHz-60MHz
	-12dB min.	60MHz-80MHz
	-10dB min.	80MHz-100MHz
Cross Talk	-35dB min.	300kHz-100MHz
Common Mode Rejection	-42dB min.	300kHz-32MHz
	-33dB min.	32MHz-100MHz

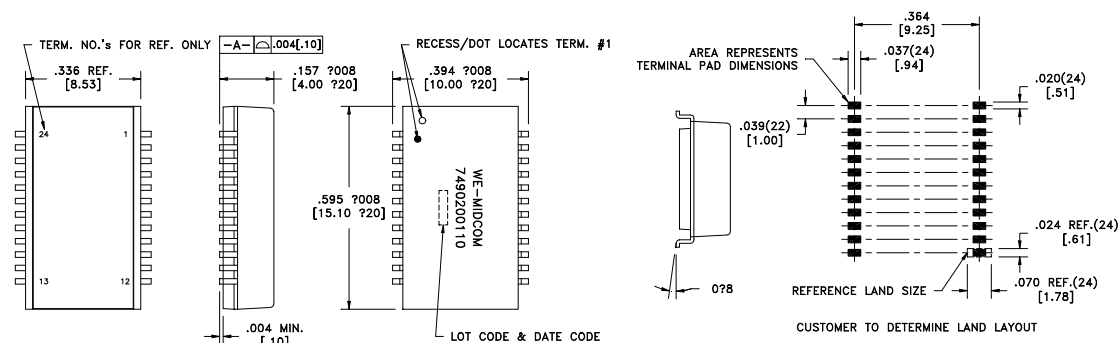
Note1: See specification sheet for electrical characteristic

AutoMDIX Operating Temp.

Part Number	Turns Ratio	Compatible	Range	Schematic	Mechanical
000-7093-37	1CT:1CT	Yes	-40°C to +85°C	1	1
000-7044-37	1CT:1CT	Yes	-40°C to +85°C	2	1
000-7367-37	1CT:1CT	Yes	0°C to +70°C	3	1
7490200110	1CT:1CT	Yes	0°C to +70°C	4	2



Mechanical 1

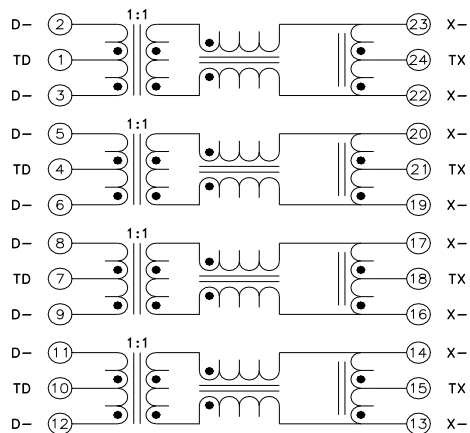


Mechanical 2

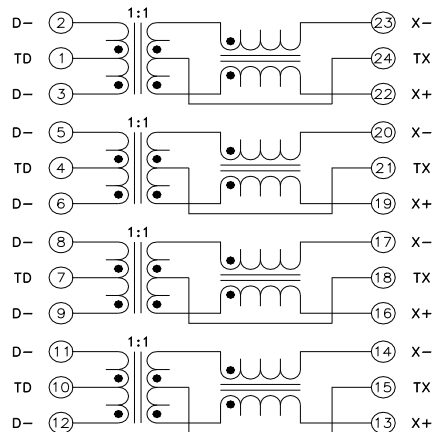
Discrete Single Port
Gigabit PDFP-G24



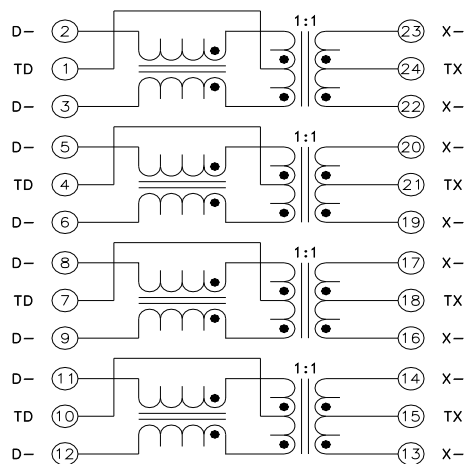
LANDatacom



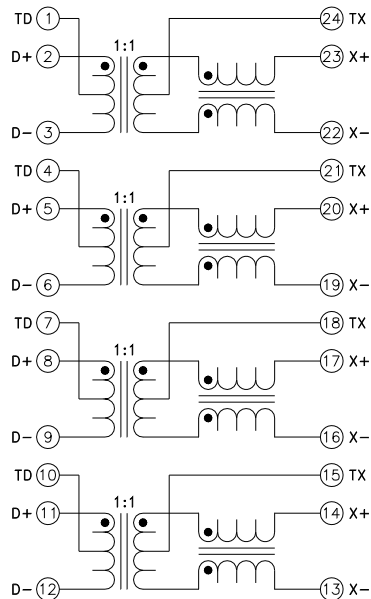
Schematic 1



Schematic 2



Schematic 3



Schematic 4