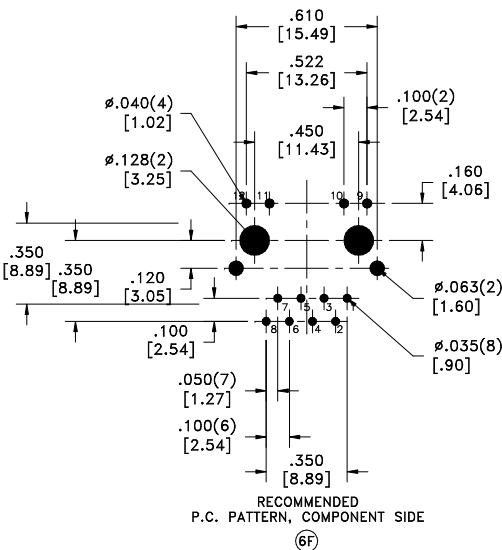
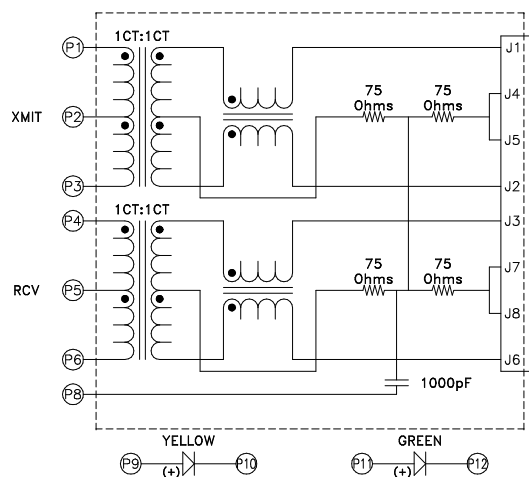
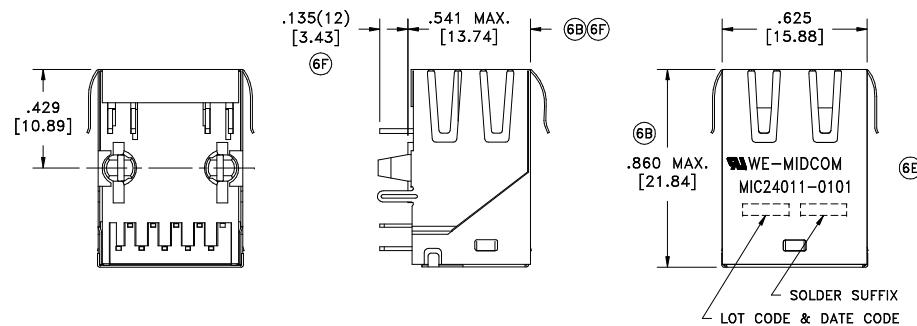
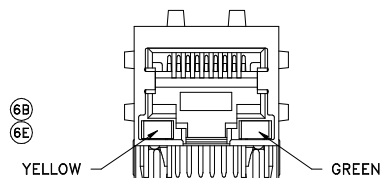


SOLDER SUFFIX	CUSTOMER TERMINAL	RoHS	LEAD(Pb)-FREE	6C
LF3	Sn100%	Yes	Yes	



ELECTRICAL SPECIFICATIONS @ 25°C unless otherwise noted:

- INDUCTANCE: 350uH min., 100kHz, 100mV, 8mADC, J1-J2; J3-J6, Lp.
- DIELECTRIC RATING: 1500Vrms for 1 minute between P1-J1(tie P1+P4).
- URNS RATIO/POLARITY: (P1-P3):(J1-J2) = 1:1, ±2%.
(P4-P6):(J3-J6) = 1:1, ±2%.
- INSERTION LOSS: -1.0dB max., 1MHz - 100MHz.
- RETURN LOSS: -18dB min., 1M - 30MHz.
-16dB min., 30M - 45MHz.
-14dB min., 45M - 60MHz.
-12dB min., 60M - 80MHz.
- CROSSTALK: -33dB min., 1MHz - 100MHz.
- COMMON MODE REJECTION: -35dB min., 1MHz - 100MHz.
- OPERATING TEMPERATURE RANGE: 0°C to +70°C.

6F MATERIAL AND FINISH:

- Housing: Thermoplastic PBT Black per UL94 V-0
- Shield: Brass with semi-bright nickel plating
- Contact: Phosphor Bronze, base material
- Contact Plating: 100% tin plating with nickel underplating, 15u" gold plating on contact area

- LED (Yellow): Frwd Voltage typ.: 2.1V
Drive Current: 20mA
Wave Length: 589nm typ.
- LED (Green): Frwd Voltage typ.: 2.2V
Drive Current: 20mA
Wave Length: 565nm typ.

RJ45 Jack cavity conforms to FCC rules and regulations Part 68.

6D 6F

FOR MIC24011-0101T-LF3
Method: TUBE
PKG-0553
www.we-online.com/midcom

FOR MIC24011-0101W-LF3
Method: TRAY
PKG-0524
www.we-online.com/midcom

REV.	DATE	Package Specifications
6F	5/10	Method: TUBE
6E	4/07	SEE ABOVE
6D	9/05	www.we-online.com/midcom
6C	7/05	SEE REVISION SHEET FOR REVISION LEVEL



Tolerances unless otherwise specified:
Angles: ±1° Decimals: ±.010 [.25]
Fractions: ±1/64 Footprint: ±.003 [.08]

This drawing is dual dimensioned. Dimensions in brackets are in millimeters.

DRAWING TITLE
TRANSFORMER
RJ45-T8

eiSos p/n: 7499011121

compliant RoHS

PART NO.	MIC24011-0101x-lf3
AGENCY NUMBER	UL60950-1 E205930
SPECIFICATION SHEET 1 OF 1	

6E