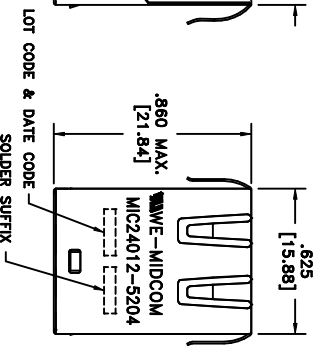
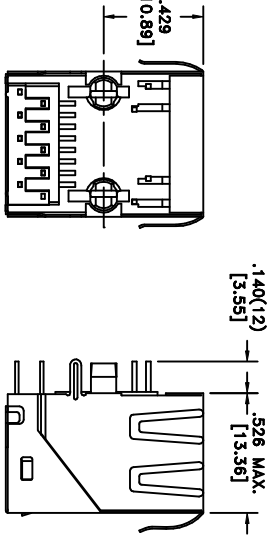
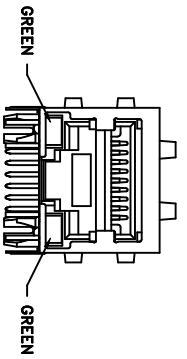
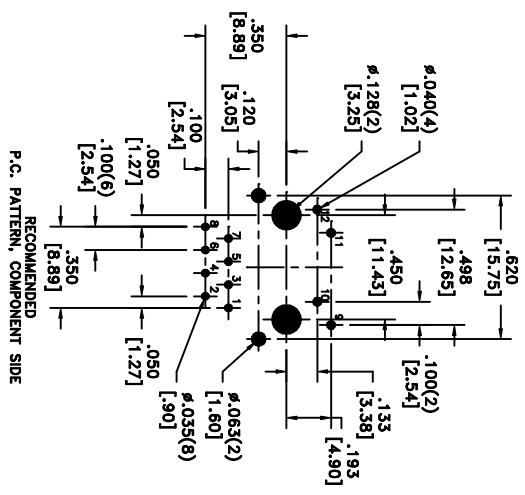
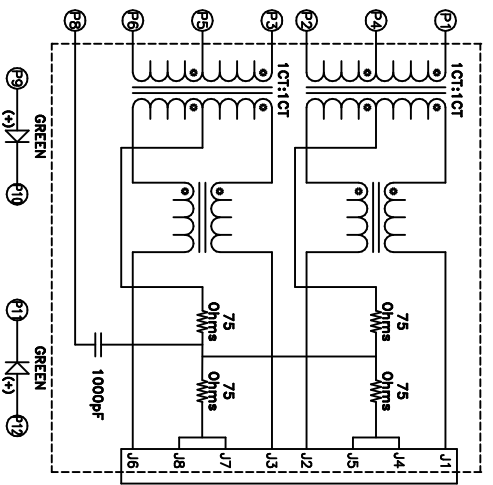


SOLDER SUFFIX	CUSTOMER TERMINAL	RoHS	LEAD(Pb)-FREE
LF3	Sn100%	Yes	Yes



**ELECTRICAL SPECIFICATIONS @ 25°C unless otherwise noted:**

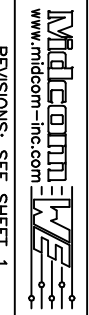
- INDUCTANCE: 350nH min., 100kHz, 100mV, 6mADC, J1-J2; J3-J6, 1p.
- DIELECTRIC RATING: 1500Vrms for 1 minute between P1-J1(the P1+P3).
- TURNS RATIO/POLARITY: (P1-P2):(J1-J2) = 1:1, ±2%. (P3-P6):(J3-J6) = 1:1, ±2%.
- INSERTION LOSS: -1.0dB typ., 1MHz - 65MHz.
- RETURN LOSS: -18dB typ., 1M - 30MHz. -16dB typ., 30M - 45MHz. -14dB typ., 45M - 60MHz. -12dB typ., 60M - 80MHz.
- CROSSTALK: -33dB typ., 1MHz - 100MHz.
- COMMON MODE REJECTION: -35dB typ., 1MHz - 100MHz.
- OPERATING TEMPERATURE RANGE: 0°C to +70°C.



RECOMMENDED P.C. PATTERN, COMPONENT SIDE

Unless otherwise specified:  
 Fractions: ±1/64  
 Decimals: ±.005[.127]  
 Angles: ±1°  
 This drawing is dual dimensioned. Dimensions in brackets are in millimeters.

DRAWING TITLE  
**TRANSFORMER**  
 10/100Mbs



DRAWING NO. MIC24012-5204T-LF3  
 SCALE ---  
 SHEET 2 OF 6  
 REV. 9A 7/08

AGENCY NUMBER	UL 60950-1
AGENCY NUMBER	E205930