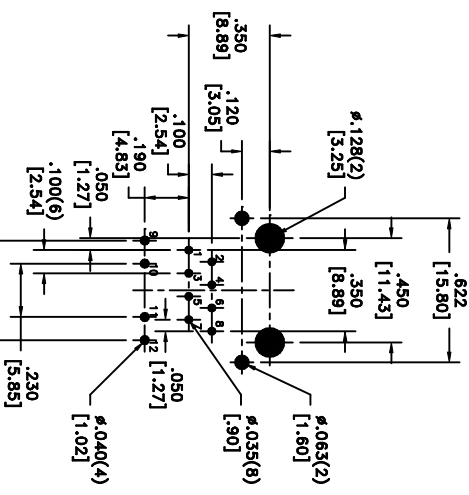
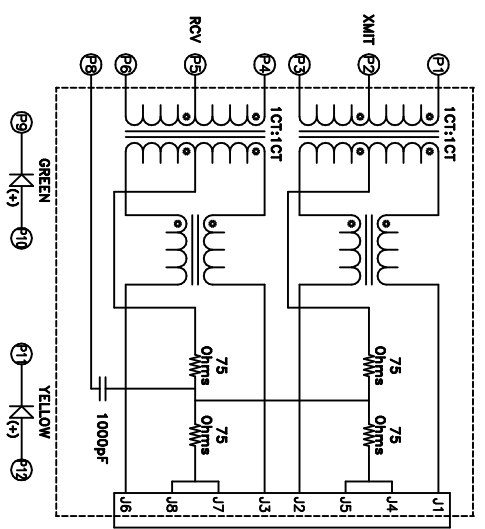
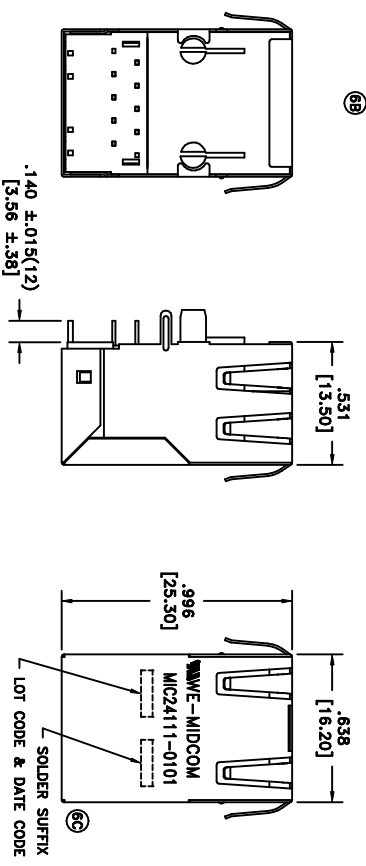
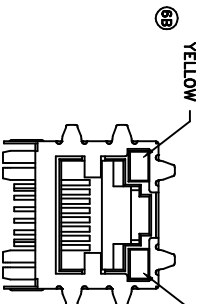


SOLDER SUFFIX	CUSTOMER TERMINAL	RoHS	LEAD(Pb)-FREE
LF3	SN100X	Yes	Yes



**ELECTRICAL SPECIFICATIONS @ 25°C unless otherwise noted:**

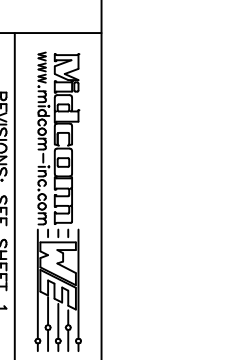
- INDUCTANCE: 350uH min., 100kHz, 100mV, 6mADC, J1-J2; J3-J6, Lp.
- DIELECTRIC RATING: 1500Vrms for 1 minute between P1-J1(the P1+P4).
- TURNS RATIO/POLARITY: (P1-P3):(J1-J2) = 1:1, ±2%  
(P4-P6):(J3-J6) = 1:1, ±2%.
- INSERTION LOSS: -1.0dB max., 1MHz - 100MHz.
- RETURN LOSS: -18dB min., 1M - 30MHz.  
-16dB min., 30M - 45MHz.  
-14dB min., 45M - 60MHz.  
-12dB min., 60M - 80MHz.
- CROSS-TALK: -35dB min., 1MHz - 100MHz.
- COMMON MODE REJECTION: -35dB min., 1MHz - 100MHz.
- OPERATING TEMPERATURE RANGE: 0°C to +70°C.

REV.	DATE
6C	11/07
6B	9/06
6A	5/06

Packaging Specifications  
 Method: Tube  
 PKG-0549  
 www.midcom-inc.com

Unless otherwise specified:  
 Tolerances: Fractions: ±1/64  
 Angles: ±1° Decimals: ±.010[.25]  
 This drawing is dual dimensioned. Dimensions in brackets are in millimeters.

**TRANSFORMER**  
 10/100Base-T  
 eSOS p/n: 7499011123



REVISIONS: SEE SHEET 1	DRAWING NO. MIC24111-0101T-LF3
SCALE: ---	AGENCY NUMBER: UL60950-1 E205930
SHEET 2 OF 6	