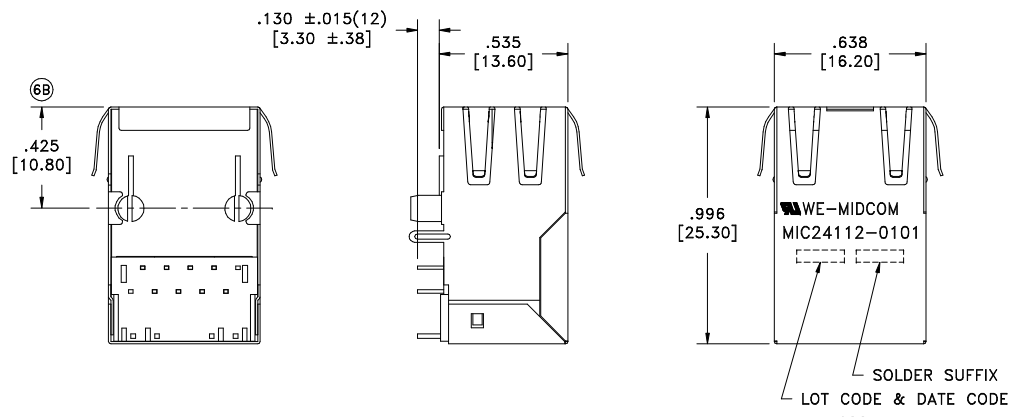
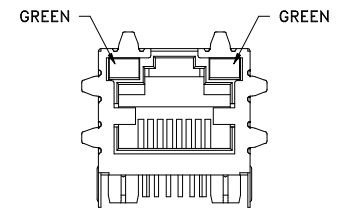
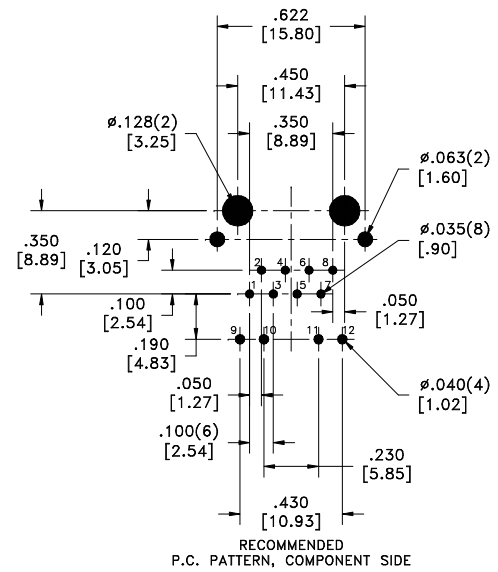
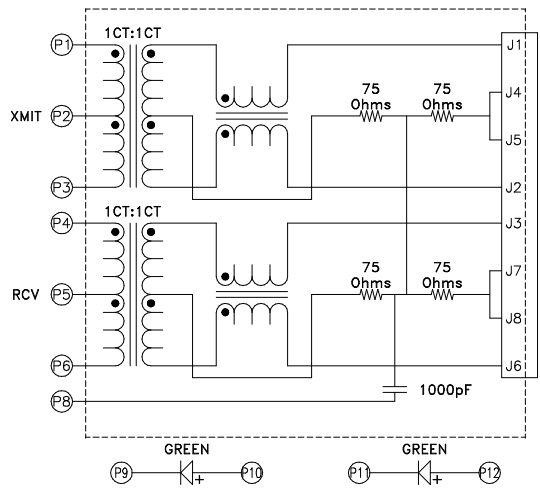


SOLDER SUFFIX	CUSTOMER TERMINAL	RoHS	LEAD(Pb)-FREE
LF3	Sn100%	Yes	Yes



ELECTRICAL SPECIFICATIONS @ 25°C unless otherwise noted:

- INDUCTANCE: 350uH min., 100kHz, 100mV, 8mADC, J1-J2; J3-J6, Lp.
- DIELECTRIC RATING: 1500Vrms for 1 minute between P1-J1(tie P1+P4).
- TURNS RATIO/POLARITY: (P1-P3):(J1-J2) = 1:1, ±2%.
(P4-P6):(J3-J6) = 1:1, ±2%.
- INSERTION LOSS: -1.0dB max., 1MHz - 100MHz.
- RETURN LOSS: -18dB min., 1M - 30MHz.
-16dB min., 30M - 45MHz.
-14dB min., 45M - 60MHz.
-12dB min., 60M - 80MHz.
- CROSSTALK: -35dB min., 1MHz - 100MHz.
- COMMON MODE REJECTION: -35dB min., 1MHz - 100MHz.
- OPERATING TEMPERATURE RANGE: 0°C to +70°C.
- Midcom p/n MIC24112-0101T-LF3 is eiSos p/n: 7499011225.
- Midcom p/n MIC24112-0101W-LF3 is eiSos p/n: 7499011225W.



6B

PACKAGING TABLE	
X	PACKAGE
T	TUBE
W	TRAY

REV.	DATE
6B	1/09
6A	6/07

AGENCY NUMBER	
UL60950-1	E205930

Packaging Specifications
 Method:
 www.midcom-inc.com

Unless otherwise specified:
 Tolerances: Fractions: ±1/64
 Angles: ±1° Decimals: ±.010 [.25]
 This drawing is dual dimensioned. Dimensions in brackets are in millimeters.

DRAWING TITLE
TRANSFORMER
 10/100Base-T
 eiSos p/n: 7499011225 & 7499011225W

Midcom
 www.midcom-inc.com

DRAWING NO.
MIC24112-0101X-LF3
 REVISIONS: SEE SHEET 1
 SCALE --- SHEET 2 OF 7 6B