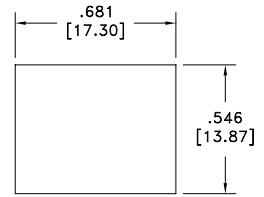
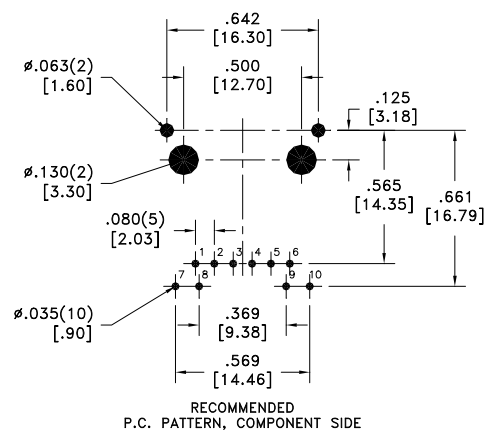
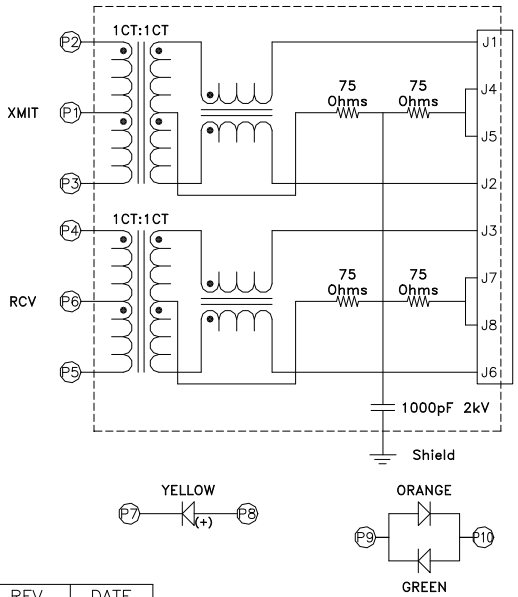
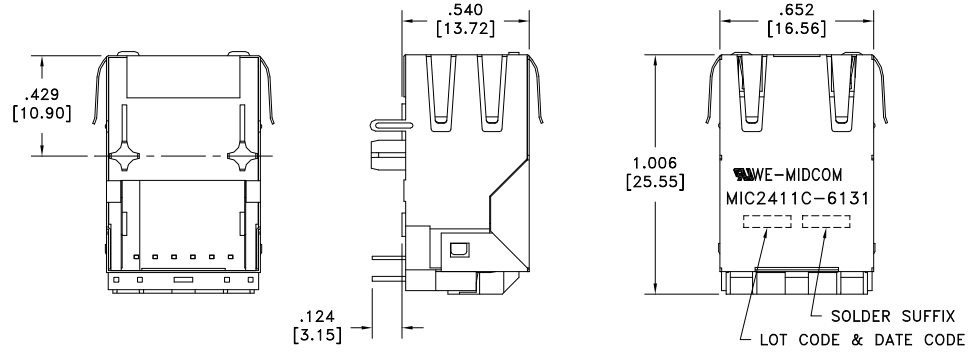
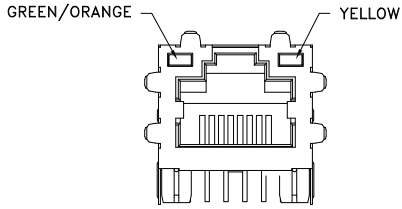


SOLDER SUFFIX	CUSTOMER TERMINAL	RoHS	LEAD(Pb)-FREE
LF3	Sn100%	Yes	Yes



**ELECTRICAL SPECIFICATIONS @ 25°C unless otherwise noted:**

- INDUCTANCE: 350uH min., 100kHz, 100mV, 8mADC, J1-J2; J3-J6, Lp.
- DIELECTRIC RATING: 1500Vrms for 1 minute between P1-J1(tie P3+P4, J2+J3).
- URNS RATIO/POLARITY: (P2-P3):(J1-J2) = 1:1, ±2%. (P4-P5):(J3-J6) = 1:1, ±2%.
- INSERTION LOSS: -1.0dB max., 1MHz - 100MHz.
- RETURN LOSS: -20dB min., 1M - 10MHz. -16dB min., 10M - 30MHz. -12dB min., 30M - 60MHz. -10dB min., 60M - 80MHz.
- CROSSTALK: -35dB min., 1MHz - 100MHz.
- COMMON MODE REJECTION: -35dB min., 1MHz - 100MHz.
- OPERATING TEMPERATURE RANGE: 0°C to +70°C.

**MATERIALS SPECIFICATIONS:**

- HOUSING: Thermoplastic or Nylon46 UL94V-0
- CONTACT: Phosphor Bronze - base material
- CONTACT PLATING: 100% Nickel underplating, 100% Tin Plating, 15u" Gold Plating on Contact Area.
- SHIELD: Brass base material with Nickel Plating.
- PINS: Tin-coated copper wire, DIA .016 [.40]
- YELLOW LED: IF = 20mA 2.1V typ.
- GREEN/ORANGE LED: IF = 20mA 2.3V typ.
- MATING/UNMATING FORCE: 51bs max. (locking tab depressed)
- PLUG TO JACK RETENTION: 101bs min.
- OPERATING LIFE: 750 cycles min.

REV.	DATE
6A	6/07

Packaging Specifications  
Method: Tube  
PKG-0549  
www.midcom-inc.com

Unless otherwise specified:  
Tolerances: Fractions: ±1/64  
Angles: ±1° Decimals: ±.010[.25]  
This drawing is dual dimensioned. Dimensions in brackets are in millimeters.

DRAWING TITLE  
**TRANSFORMER**  
10/100Base-T  
eiSos p/n: 7499011610

Midcom   
www.midcom-inc.com

DRAWING NO.  
**MIC2411C-6131T-LF3**  
REVISIONS: SEE SHEET 1  
SCALE --- SHEET 2 OF 6

AGENCY NUMBER
UL60950-1 E205930