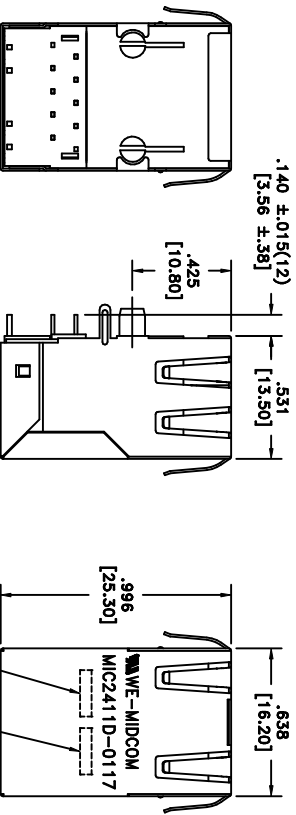
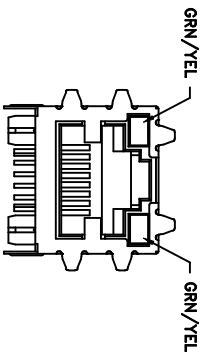


SOLDER SUFFIX	CUSTOMER TERMINAL	RoHS	LEAD(Pb)-FREE
LF3	Sn 100%	Yes	Yes



SOLDER SUFFIX
LOT CODE & DATE CODE

ELECTRICAL SPECIFICATIONS @ 25°C unless otherwise noted:

INDUCTANCE: 350nH min., 100kHz, 100mV, 6mA DC, J1-J2; J3-J6, 1µ.

DIELECTRIC RATING: 1500Vrms for 1 minute between P1-J1 (tie P1+P3).

TURNS RATIO/POLARITY: (P1-P2):(J1-J2) = 1:1, ±2%
(P3-P6):(J3-J6) = 1:1, ±2%.

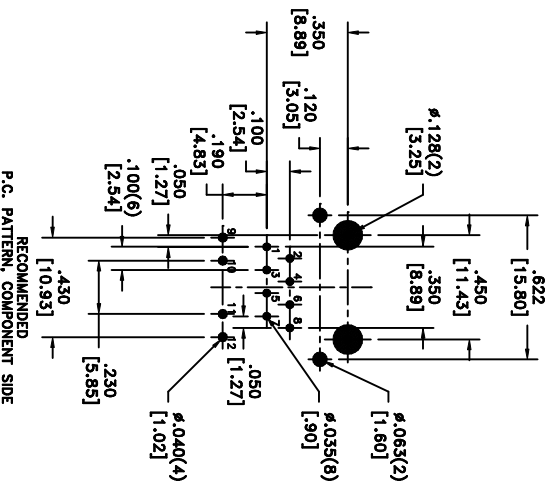
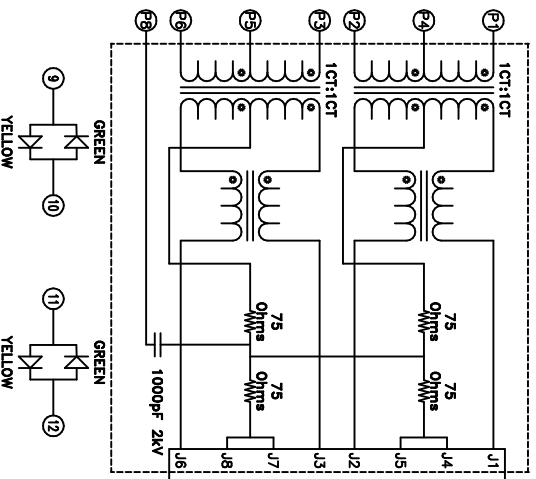
INSERTION LOSS: -1.0dB typ., 1MHz - 65MHz.

RETURN LOSS: -18dB typ., 1M - 30MHz.
-16dB typ., 30M - 45MHz.
-14dB typ., 45M - 60MHz.
-12dB typ., 60M - 80MHz.

CROSSTALK: -33dB typ., 1MHz - 100MHz.

COMMON MODE REJECTION: -35dB typ., 1MHz - 100MHz.

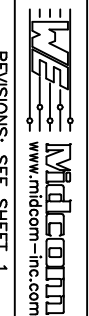
OPERATING TEMPERATURE RANGE: -40°C to +85°C.



RECOMMENDED
P.C. PATTERN, COMPONENT SIDE

Unless otherwise specified:
Fractions: ±1/64
Decimals: ±.010[.25]
Angles: ±1°
This drawing is dual dimensioned. Dimensions in brackets are in millimeters.

DRAWING TITLE
TRANSFORMER
10/100Mbs



REVISIONS: SEE SHEET 1

DRAWING NO. MIC2411D-0117T-LF3

SCALE: ---

SHEET 2 OF 6

AGENCY NUMBER: UL60950-1 E205930

REV. 6A 12/06