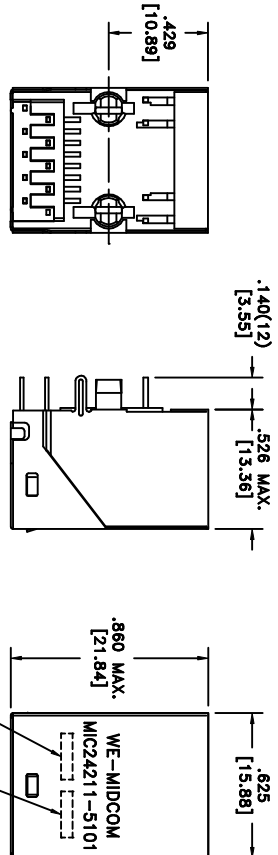
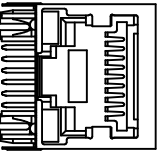
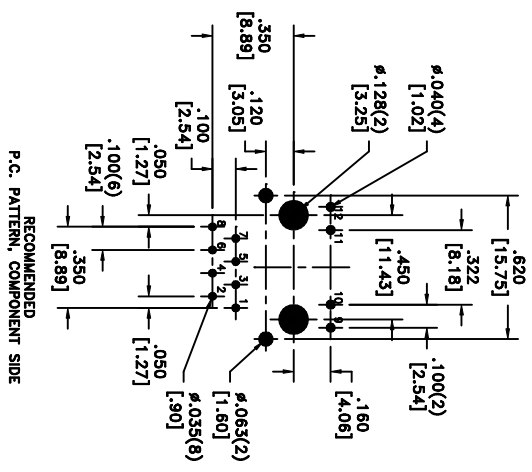
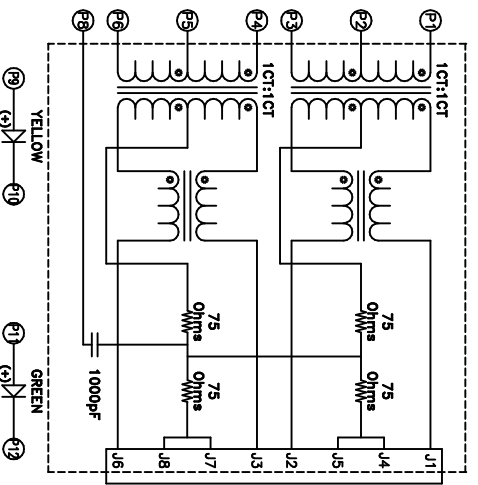


SOLDER SUFFIX	CUSTOMER TERMINAL	RoHS	LEAD(Pb)-FREE
LF3	SM100X	Yes	Yes



LOT CODE & DATE CODE  
SOLDER SUFFIX



**ELECTRICAL SPECIFICATIONS @ 25°C unless otherwise noted:**

INDUCTANCE: 350uH min., 100kHz, 100mA, 8mADC, J1-J2, J3-J6, Lp.

DIELECTRIC RATING: 1500Vrms for 1 minute between P1-J1(tie P1+P4).

TURNS RATIO/POLARITY: (P1-P3):(J1-J2) = 1:1, ±2%.  
(P4-P6):(J3-J6) = 1:1, ±2%.

INSERTION LOSS: -1.0dB typ., 1MHz - 100MHz.

RETURN LOSS: -18dB typ., 1M - 30MHz.  
-16dB typ., 30M - 45MHz.  
-14dB typ., 45M - 60MHz.  
-12dB typ., 60M - 80MHz.

CROSSTALK: -35dB min., 1MHz - 100MHz.

COMMON MODE REJECTION: -35dB typ., 1MHz - 100MHz.

OPERATING TEMPERATURE RANGE: 0°C to +70°C.

**Midcom, Inc.**  
Watertown, SD USA  
Toll Free: 800-643-2661  
Fax: 605-886-4486

Unless otherwise specified:  
Tolerances: Fractions: ±1/64  
Angles: ±1° Decimals: ±.010 [.25mm]  
This drawing is dual dimensioned. Dimensions in brackets are in millimeters.

DRAWING TITLE

# TRANSFORMER

RJ45-18



REVISIONS: SEE SHEET 1

DRAWING NO.  
**MIC24211-5101T-LF3**

SCALE: ---

REV. 6A  
1/06

SHEET 2 OF 6