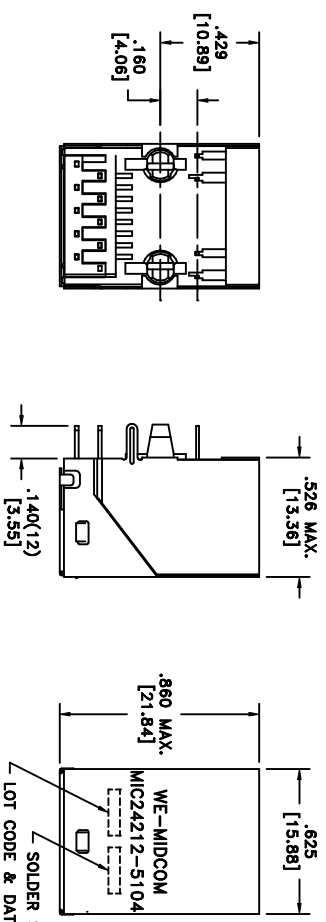
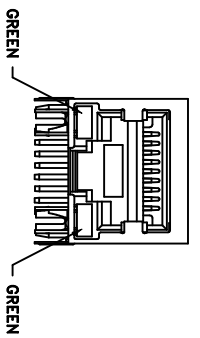


SOLDER SUFFIX	CUSTOMER TERMINAL	RoHS	LEAD(Pb)-FREE
LF3	SN100X	Yes	Yes



ELECTRICAL SPECIFICATIONS @ 25°C unless otherwise noted:

INDUCTANCE: 350nH min., 100kHz, 100mV, 8mADC, J1-J2, J3-J6, Jp.

DIELECTRIC RATING: 1500Vrms, 1 minute tested between P1-J1 (tie P1+P3).

TURN RATIO/POLARITY: (P1-P2):(J1-J2) = 1:1, ±2%.
(P3-P6):(J3-J6) = 1:1, ±2%.

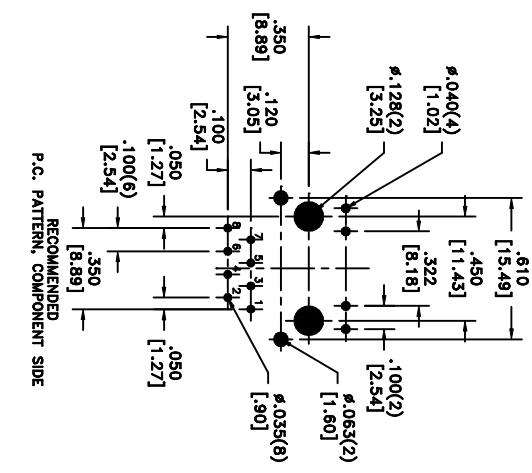
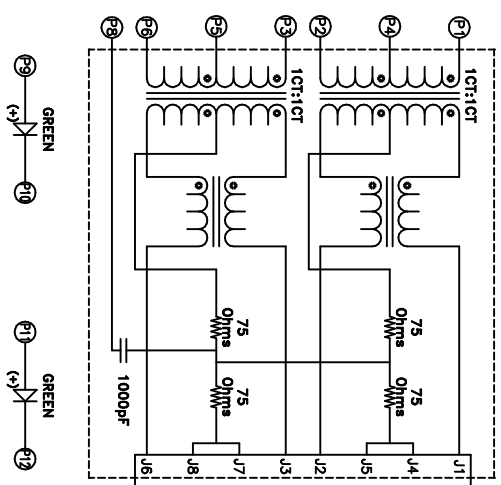
INSERTION LOSS: -1.0dB max., 1M - 100MHz.

RETURN LOSS: -18dB min., 1M - 30MHz.
-16dB min., 30M - 45MHz.
-14dB min., 45M - 60MHz.
-12dB min., 60M - 80MHz.

CROSSTALK: -36dB min., 1M - 100MHz.

CMRR: -36dB min., 1M - 100MHz.

OPERATING TEMPERATURE RANGE: 0°C to +70°C.



Midcom, Inc.
Wadsworth, SD USA
Toll Free: 800-643-2661
Fax: 605-886-4486

Unless otherwise specified:
Tolerances: Fractions: ±1/64
Angles: ±1° Decimals: ±.010[.25]
This drawing is dual dimensioned. Dimensions in brackets are in millimeters.

DRAWING TITLE
TRANSFORMER
10/100Mbs



DRAWING NO. **MIC24212-5104T-LF3** REV. 9A 3/07
REVISIONS: SEE SHEET 1 SCALE --- SHEET 2 OF 6