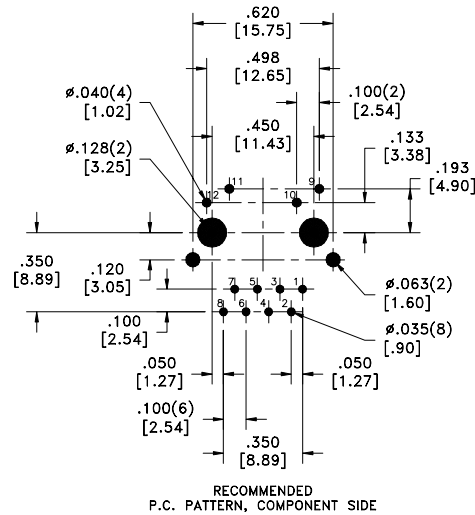
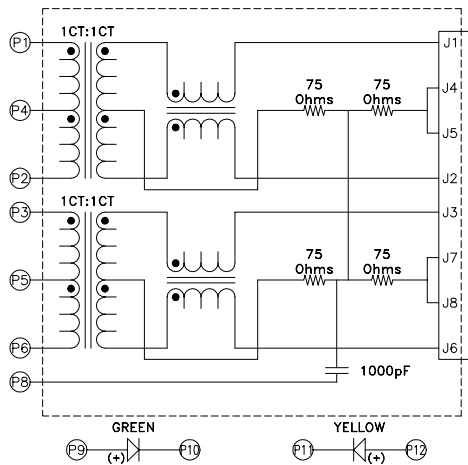
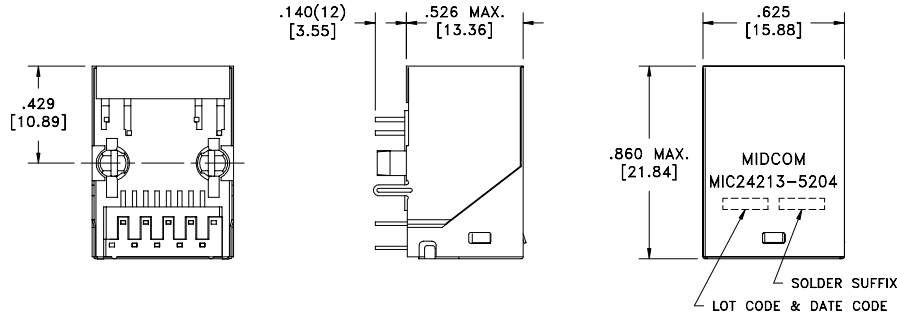
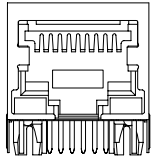


SOLDER SUFFIX	CUSTOMER TERMINAL	RoHS	LEAD(Pb)-FREE
LF3	Sn100%	Yes	Yes



ELECTRICAL SPECIFICATIONS @ 25°C unless otherwise noted:

- INDUCTANCE: 350uH min., 100kHz, 100mV, 8mADC, J1-J2; J3-J6, Lp.
- DIELECTRIC RATING: 1500Vrms for 1 minute between P1-J1(tie P1+P3).
- URNS RATIO/POLARITY: (P1-P2):(J1-J2) = 1:1, ±2%.
(P3-P6):(J3-J6) = 1:1, ±2%.
- INSERTION LOSS: -1.0dB typ., 1MHz - 100MHz.
- RETURN LOSS: -18dB typ., 1M - 30MHz.
-16dB typ., 30M - 45MHz.
-14dB typ., 45M - 60MHz.
-12dB typ., 60M - 80MHz.
- CROSSTALK: -33dB typ., 1MHz - 100MHz.
- COMMON MODE REJECTION: -35dB typ., 1MHz - 100MHz.
- OPERATING TEMPERATURE RANGE: 0°C to +70°C.

Midcom, Inc.
Watertown, SD USA
Toll Free: 800-643-2661
Fax: 605-886-4486

Unless otherwise specified:
Tolerances: Fractions: ±1/64
Angles: ±1' Decimals: ±.010 [0.25mm]
This drawing is dual dimensioned. Dimensions in brackets are in millimeters.

DRAWING TITLE
TRANSFORMER
10/100Mbs

Midcom

DRAWING NO.
MIC24213-5204T-LF3

REV.
6A
8/05

REVISIONS: SEE SHEET 1

SCALE ---

SHEET 2 OF 6