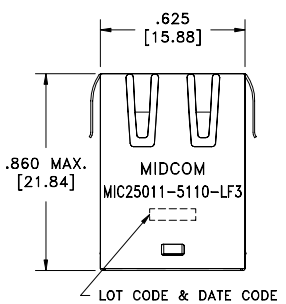
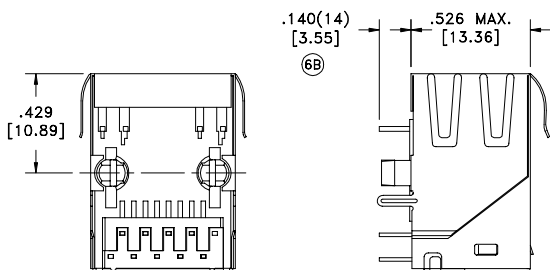
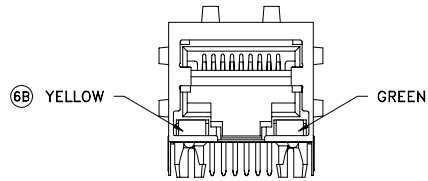
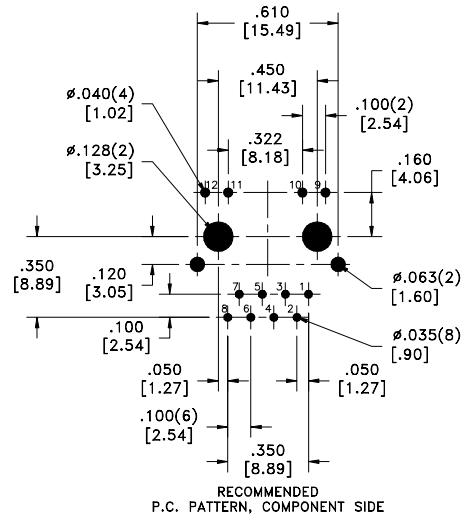
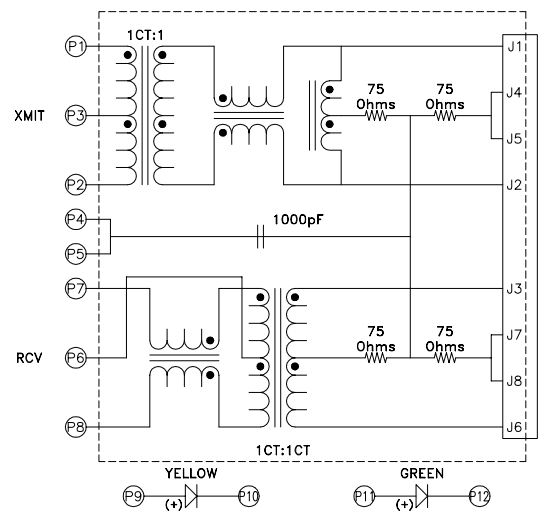


| | | | |
|---------------|-------------------|------|---------------|
| SOLDER SUFFIX | CUSTOMER TERMINAL | RoHS | LEAD(Pb)-FREE |
| LF3 | Sn100% | Yes | Yes |



ELECTRICAL SPECIFICATIONS @ 25°C unless otherwise noted:

- INDUCTANCE: 350uH min., 100kHz, 100mV, 8mA DC, J1-J2; J3-J6, Lp.
- DIELECTRIC RATING: 1500Vrms for 1 minute between P1-J1(tie P1+P7, J2+J3).
- URNS RATIO/POLARITY: (P1-P2):(J1-J2) = 1:1, ±2%.
(P7-P8):(J3-J6) = 1:1, ±2%.
- INSERTION LOSS: -1.0dB max., 1MHz - 100MHz.
- RETURN LOSS: -18dB min., 1M - 30MHz.
-16dB min., 30M - 45MHz.
-14dB min., 45M - 60MHz.
-12dB min., 60M - 80MHz.
- CROSSTALK: -35dB min., 1MHz - 100MHz.
- COMMON MODE REJECTION: -35dB min., 1MHz - 100MHz.
- OPERATING TEMPERATURE RANGE: 0°C to +70°C.



Midcom, Inc.
 Watertown, SD USA
 Toll Free: 800-643-2661
 Fax: 605-886-4486

Unless otherwise specified:
 Tolerances: Fractions: ±1/64
 Angles: ±1° Decimals: ±.010 [0.25]
 This drawing is dual dimensioned. Dimensions in brackets are in millimeters.

DRAWING TITLE
TRANSFORMER
 10/100Mbs

Midcom
 REVISIONS: SEE SHEET 1

DRAWING NO.
MIC25011-5110T-LF3
 SCALE --- SHEET 2 OF 6

| | |
|---------------|---------|
| (6B) | |
| AGENCY NUMBER | |
| UL 60950-1 | E205930 |

REV.
 6B
 8/06