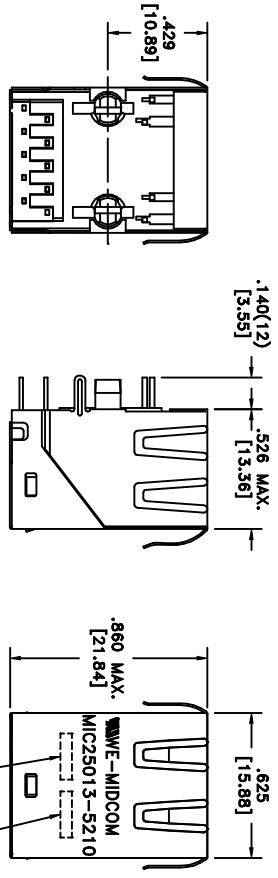
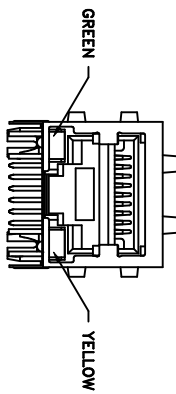
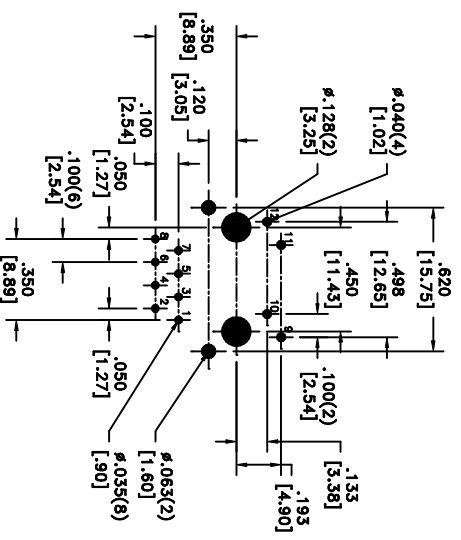
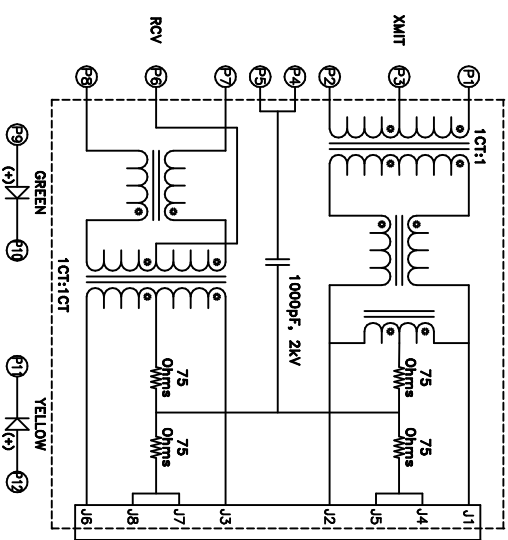


SOLDER SUFFIX	CUSTOMER TERMINAL	RoHS	LEAD(Pb)-FREE
LF3	Sn100%	Yes	Yes



ELECTRICAL SPECIFICATIONS @ 25°C unless otherwise noted:

- INDUCTANCE: 360uH min., 100kHz, 100mV, 8mADC, J1-J2, J3-J6, Ip.
- DIELECTRIC RATING: 1500Vrms for 1 minute between P1-J1(tie P6+P3).
- TURNS RATIO/POLARITY: (P1-P2):(J1-J2) = 1:1, ±2%. (P7-P8):(J3-J6) = 1:1, ±2%.
- INSERTION LOSS: -1.0dB max., 1MHz - 100MHz.
- RETURN LOSS: -16dB min., 1M - 30MHz. -14dB min., 30M - 45MHz. -12dB min., 45M - 60MHz. -10dB min., 60M - 80MHz.
- CROSSTALK: -35dB min., 1MHz - 100MHz.
- COMMON MODE REJECTION: -35dB min., 1MHz - 100MHz.
- OPERATING TEMPERATURE RANGE: 0°C to +70°C.



RECOMMENDED P.C. PATTERN, COMPONENT SIDE

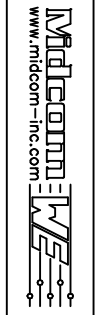
REV.	DATE

6A	5/07
6B	12/07

Packaging Specifications
 Method: Tube
 PKG-0524
 www.midcom-inc.com

Unless otherwise specified:
 Tolerances: Fractions: ±1/64
 Angles: ±1° Decimals: ±.010[.25]
 This drawing is dual dimensioned. Dimensions in brackets are in millimeters.

DRAWING TITLE
TRANSFORMER
 10/100Mbs



DRAWING NO. MIC25013-5210T-LF3
 SCALE ---
 SHEET 2 OF 6

AGENCY NUMBER	UL60950-1
	E205930

REVISIONS: SEE SHEET 1