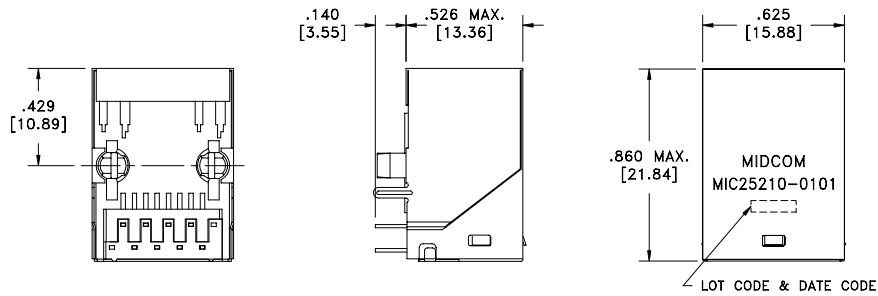
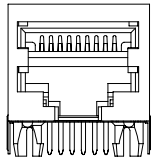


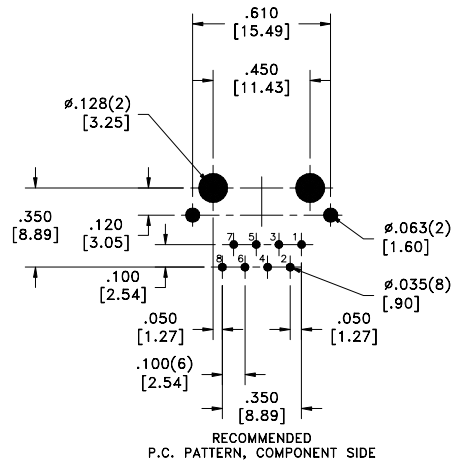
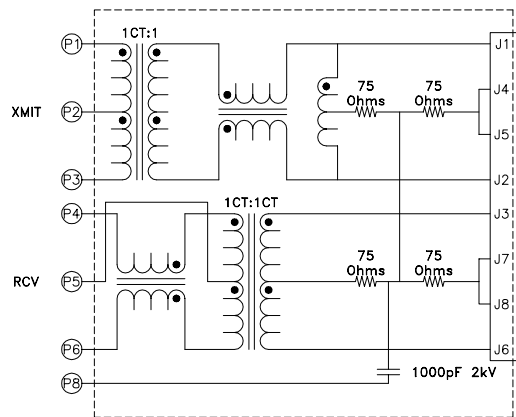
6B



ELECTRICAL SPECIFICATIONS @ 25°C unless otherwise noted:

INDUCTANCE:	350uH min., 100kHz, 100mV, 8mADC, J1-J2; J3-J6, Lp.
DIELECTRIC RATING:	1500Vrms for 1 minute between P1-J1(tie P1+P4+P8).
URNS RATIO/POLARITY:	(P1-P3):(J1-J2) = 1:1, ±2%. (P4-P6):(J3-J6) = 1:1, ±2%.
INSERTION LOSS:	-1.0dB max., 1MHz - 100MHz.
RETURN LOSS:	-18dB min., 1M - 30MHz. -16dB min., 30M - 45MHz. -14dB min., 45M - 60MHz. -12dB min., 60M - 80MHz.
CROSSTALK:	-35dB min., 1MHz - 100MHz.
COMMON MODE REJECTION:	-35dB min., 1MHz - 100MHz.
OPERATING TEMPERATURE RANGE:	0°C to +70°C.

6B



Midcom, Inc.
Watertown, SD USA
Toll Free: 800-643-2661
Fax: 605-886-4486

Unless otherwise specified:
Tolerances: Fractions: $\pm 1/64$
Angles: $\pm 1^\circ$ Decimals: ± 0.10 [.25mm]
This drawing is dual dimensioned. Dimensions in brackets are in millimeters.

DRAWING TITLE

TRANSFORMER
RJ45-T8

DRAWING NO.

MIC25210-0101T

REV.

6B
9/05

REVISIONS: SEE SHEET 1

SCALE ---

SHEET 2 OF 6