

ELECTRICAL SPECIFICATIONS @ 25°C unless otherwise noted:

INDUCTANCE: 350uH min., 100kHz, 100mV, 8mA DC, J1-J2; J3-J6, Lp.

DIELECTRIC RATING: 1500Vrms for 1 minute between P1-J1(tie P1+P8).

URNS RATIO/POLARITY: (P1-P2):(J1-J2) = 1:1, ±2%.
(P7-P8):(J3-J6) = 1:1, ±2%.

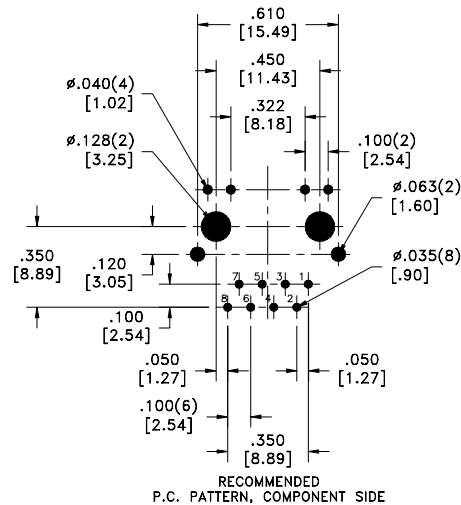
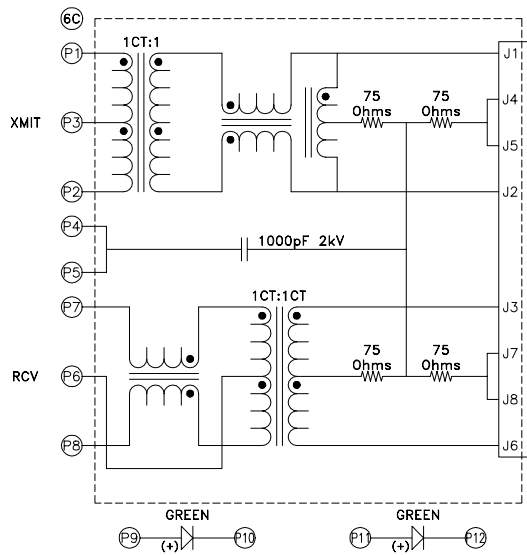
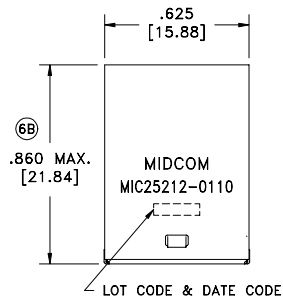
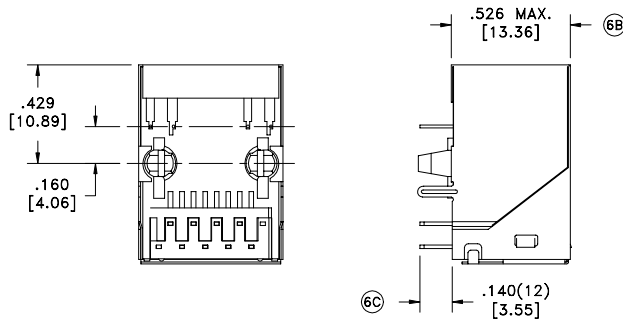
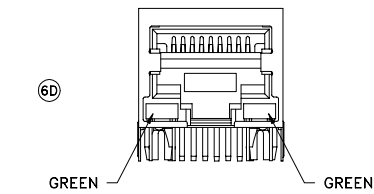
INSERTION LOSS: -1.0dB max., 1MHz - 100MHz.

RETURN LOSS: -18dB min., 1M - 30MHz.
-16dB min., 30M - 45MHz.
-14dB min., 45M - 60MHz.
-12dB min., 60M - 80MHz.

6B CROSSTALK: -35dB min., 1MHz - 100MHz.

COMMON MODE REJECTION: -35dB min., 1MHz - 100MHz.

OPERATING TEMPERATURE RANGE: 0°C to +70°C.



6D	
AGENCY NUMBER	
UL 60950-1	E205930

Midcom, Inc.
Watertown, SD USA
Toll Free: 800-643-2661
Fax: 605-886-4486

Unless otherwise specified:
Tolerances: Fractions: ±1/64
Angles: ±1° Decimals: ±.010 [.254]
This drawing is dual dimensioned. Dimensions in brackets are in millimeters.

DRAWING TITLE
TRANSFORMER
10/100Mbs

Midcom

DRAWING NO.
MIC25212-0110T

REV.
6D
10/06

REVISIONS: SEE SHEET 1

SCALE ---

SHEET 2 OF 6