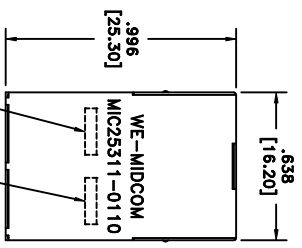
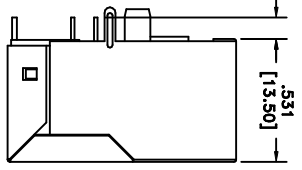
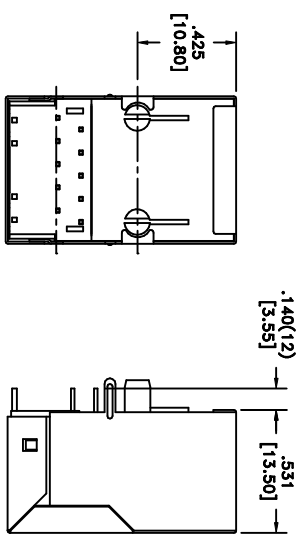
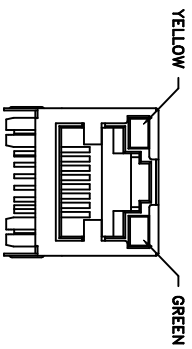


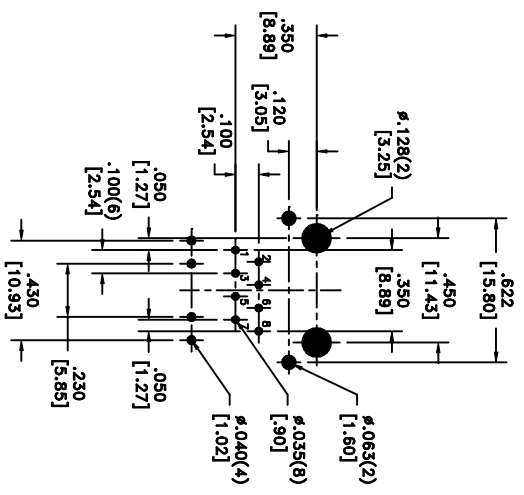
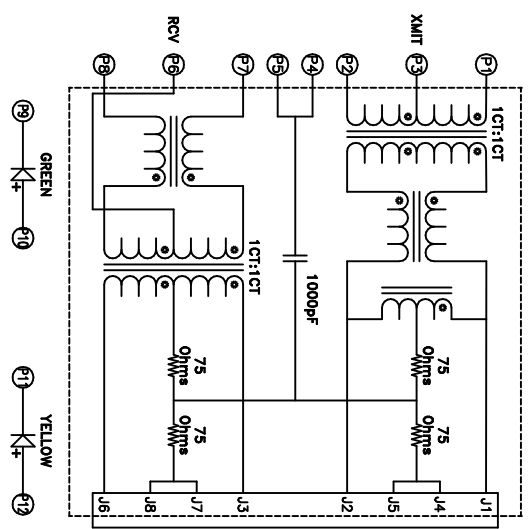
SOLDER SUFFIX	CUSTOMER TERMINAL	RoHS	LEAD(Pb)-FREE
LF3	SM100X	Yes	Yes



WE-MIDCOM
MIC25311-0110
SOLDER SUFFIX
LOT CODE & DATE CODE

ELECTRICAL SPECIFICATIONS @ 25°C unless otherwise noted:

- INDUCTANCE: 350nH min., 100kHz, 100mV, 6mADC, J1-J2; J3-J6, 1p.
- DIELECTRIC RATING: 1500Vrms for 1 minute between P1-J1(the P2+P7, J2+J3).
- TURNS RATIO/POLARITY: (P1-P2):(J1-J2) = 1:1, ±2%.
(P7-P8):(J3-J6) = 1:1, ±2%.
- INSERTION LOSS: -1.0dB max., 1MHz - 100MHz.
- RETURN LOSS: -18dB min., 1M - 30MHz.
-16dB min., 30M - 45MHz.
-14dB min., 45M - 60MHz.
-12dB min., 60M - 80MHz.
- CROSSTALK: -35dB min., 1MHz - 100MHz.
- COMMON MODE REJECTION: -35dB min., 1MHz - 100MHz.
- OPERATING TEMPERATURE RANGE: 0°C to +70°C.



P.C. PATTERN, RECOMMENDED COMPONENT SIDE

Unless otherwise specified:
Tolerances: Fractions: ±1/64
Angles: ±1° Decimals: ±.010[.25]
This drawing is dual dimensioned. Dimensions in brackets are in millimeters.

DRAWING TITLE
TRANSFORMER
10/100Mbs



DRAWING NO. MIC25311-0110T-LF3
SCALE ---
AGENCY NUMBER UL60950-1 E205930
SHEET 2 OF 6
REV. 6A 11/06