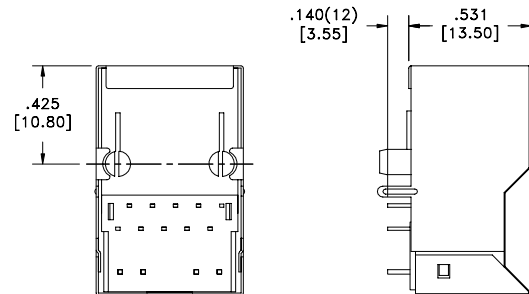
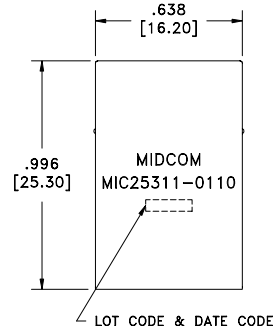


6B



6B



ELECTRICAL SPECIFICATIONS @ 25°C unless otherwise noted:

INDUCTANCE: 350uH min., 100kHz, 100mV, 8mADC, J1-J2; J3-J6, Lp.

6B DIELECTRIC RATING: 1500Vrms for 1 minute between P1-J1(tie P2+P7).

URNS RATIO/POLARITY: (P1-P2):(J1-J2) = 1:1, ±2%.  
(P7-P8):(J3-J6) = 1:1, ±2%.

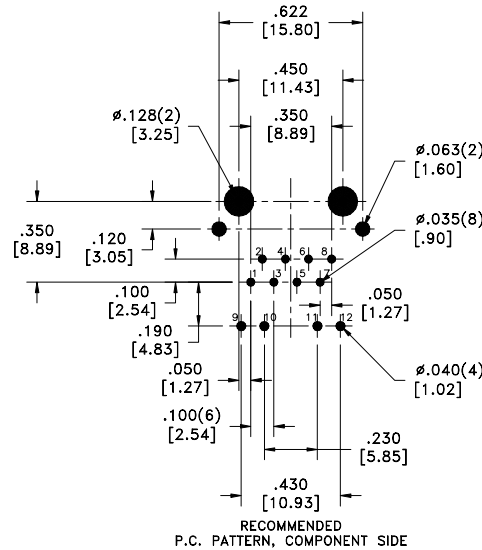
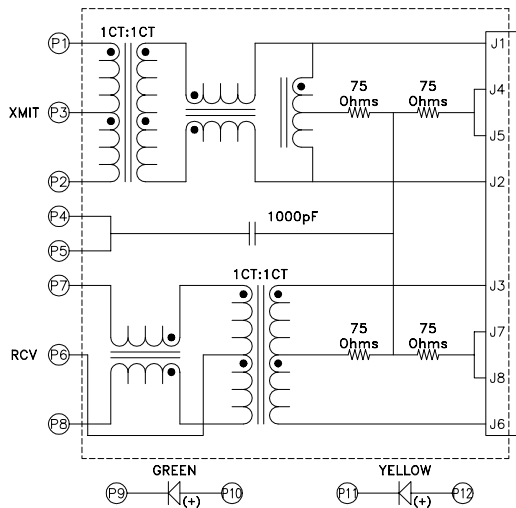
INSERTION LOSS: -1.0dB max., 1MHz - 100MHz.

RETURN LOSS: -18dB min., 1M - 30MHz.  
-16dB min., 30M - 45MHz.  
-14dB min., 45M - 60MHz.  
-12dB min., 60M - 80MHz.

CROSSTALK: -35dB min., 1MHz - 100MHz.

COMMON MODE REJECTION: -35dB min., 1MHz - 100MHz.

OPERATING TEMPERATURE RANGE: 0°C to +70°C.



6B

AGENCY NUMBER	
UL 60950-1	E205930

**Midcom, Inc.**  
Watertown, SD USA  
Toll Free: 800-643-2661  
Fax: 605-886-4486

Unless otherwise specified:  
Tolerances: Fractions: ±1/64  
Angles: ±1° Decimals: ±.010 [.25]  
This drawing is dual dimensioned. Dimensions in brackets are in millimeters.

DRAWING TITLE  
**TRANSFORMER**  
10/100Mbs

6B

Midcom

REVISIONS: SEE SHEET 1

DRAWING NO.  
**MIC25311-0110T**

SCALE ---

REV.  
6B  
10/06

SHEET 2 OF 6