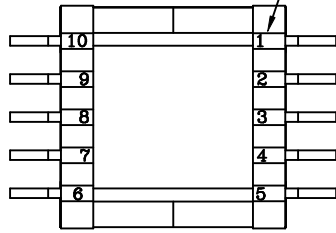
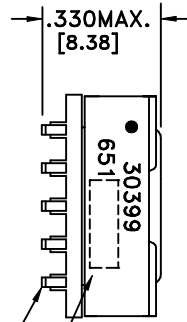


TERM. NO.'s FOR REF. ONLY



.015 x .030(10)
[.38 x .76]

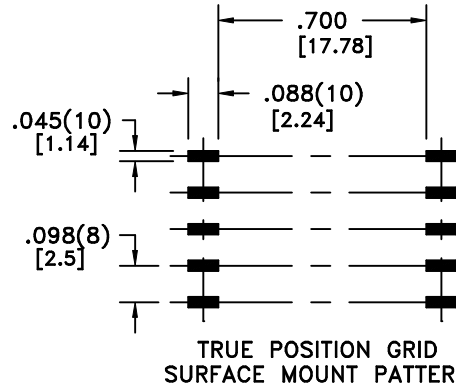
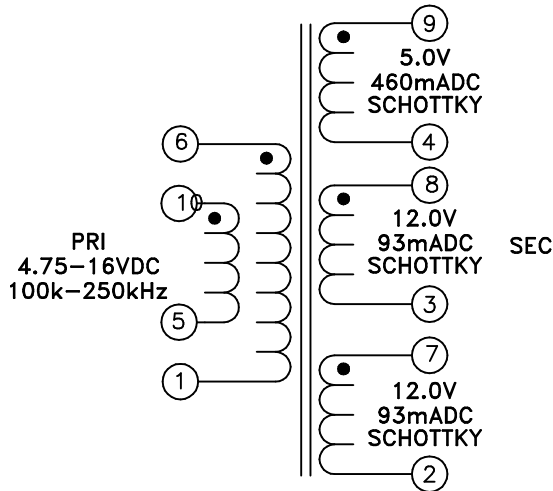
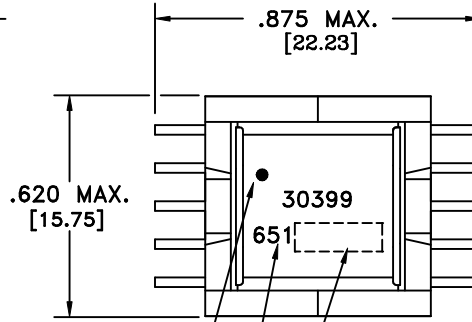
ALTERNATE MARKING LOCATION



DOT LOCATES TERM. #1

EIA CODE

LOT CODE & DATE CODE



TRUE POSITION GRID
SURFACE MOUNT PATTERN

SPECIFICATIONS:

D.C. RESISTANCE, 20°C: 6-1, 0.082 ohms max.
9-4, 0.096 ohms max.
8-3, 1.210 ohms max.
7-2, 1.276 ohms max.
10-5, 0.107 ohms max.

DIELECTRIC RATING; 500VAC, 1 minute tested by applying 625VAC for 1 second between: PRI-SEC.

INDUCTANCE: 10.65uH ±5%, 10kHz, 100mVAC, 6-1, Ls

LEAKAGE INDUCTANCE: 260nH typ., 100kHz, 100mVAC, 6-1(tie 9+4, 8+3, 7+2, 10+6, 1+5), Ls.

URNS RATIO: (6-1):(9-4) = 0.909:1 ±1%
(6-1):(8-3) = 0.400:1 ±1%
(6-1):(7-2) = 0.400:1 ±1%
(6-1):(10-5) = 1:1 ±1%

TRANSFORMER INFORMATION:

Pout max.: 4.55W
Pout min.: 2.45W
Estimated Temp. Rise @ Pout max.: 35.0°C
Estimated Efficiency: 71.3%
Estimated Maximum Duty Cycle: 54.7%

SWITCH SELECTION INFORMATION

Input Voltage Range: 4.75 - 16V
Peak Current: 3.85A
Vsw @ Rated Output Voltages: 21 + (Vmax - 16)
Operating Frequency: 100k - 250kHz

Transformer will operate in Discontinuous Mode below Minimum Specified Output Voltage of Pout Min.

Pout min. varies with frequency of switcher (from 100 to 250kHz) Pout Min = 245.0/(Frequency in kHz) Watts

Unless otherwise specified:
Tolerances:
Angles: ±1°
Fractions: ±1/64
Decimals: ±.005[.13]

DRAWING TITLE

TRANSFORMER

eiSos p/n:

SEE REVISION SHEET FOR REVISION LEVEL

Midcom www.midcom-inc.com

PART NO.

30399/R

REV.

6B

SPECIFICATION SHEET 1 OF 1

PART #
30399/R

This drawing is dual dimensioned.
Dimensions in brackets are in millimeters.