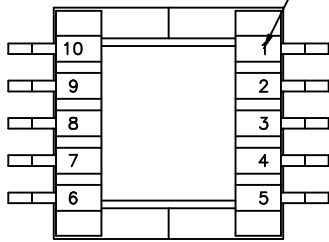
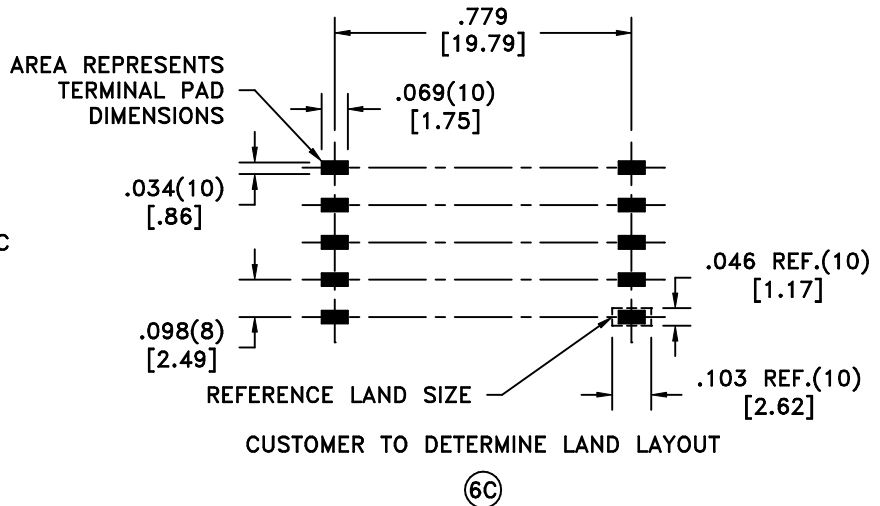
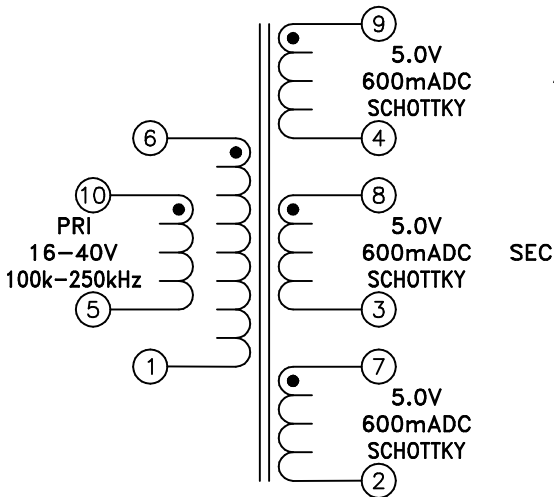
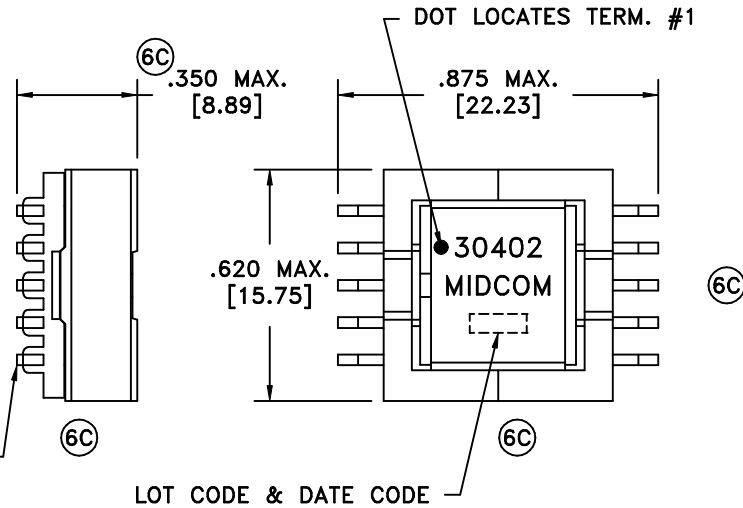


TERM. NO.'s FOR REF. ONLY



⑥C  
 .016 X .028(10)  
 [.41 X .71]



**ELECTRICAL SPECIFICATIONS @ 25°C unless otherwise noted:**

- D.C. RESISTANCE (@20°C):  
 6-1, 0.149 ohms max.  
 9-4, 0.090 ohms max.  
 8-3, 0.087 ohms max.  
 7-2, 0.084 ohms max.  
 10-5, 0.189 ohms max.
- DIELECTRIC RATING; 500VAC, 1 minute tested by applying 625VAC for 1 second between PRI-SEC.
- INDUCTANCE: 32.3uH ±5%, 10kHz, 100mVAC, 6-1, Ls.
- LEAKAGE INDUCTANCE: 520nH typ., 100kHz, 100mVAC, 6-1(tie 9+4, 8+3, 7+2, 10+6, 1+5), Ls.
- URNS RATIO:  
 (6-1):(9-4) = 1.733:1, ±1%.  
 (6-1):(8-3) = 1.733:1, ±1%.  
 (6-1):(7-2) = 1.733:1, ±1%.  
 (6-1):(10-5) = 1:1, ±1%.

**TRANSFORMER INFORMATION:**

Pout max.: 9.00W  
 Pout min.: 4.55W  
 Estimated Temp. Rise @ Pout max.: 42.5°C  
 Estimated Efficiency: 74.0%  
 Estimated Maximum Duty Cycle: 39.7%

**SWITCH SELECTION INFORMATION**

Input Voltage Range: 16 - 40V  
 Peak Current: 2.980A  
 Vsw @ Rated Output Voltages: 49 + (Vmax - 40)  
 Operating Frequency: 100k - 250kHz

Transformer will operate in Discontinuous Mode below Minimum Specified Output Voltage of Pout Min.  
 Pout min. varies with frequency of switcher (from 100 to 250kHz) Pout Min = 455.0/(Frequency in kHz) Watts

DETAILS SUBJECT TO CHANGE

Unless otherwise specified: Tolerances: Angles: ±1° Fractions: ±1/64 Decimals: ±.005[.13]	DRAWING TITLE <h2 style="text-align: center;">TRANSFORMER</h2>	 www.midcom-inc.com	PART # 30402R
	eiSos p/n: SEE REVISION SHEET FOR REVISION LEVEL		
This drawing is dual dimensioned. Dimensions in brackets are in millimeters.	SEE REVISION SHEET FOR REVISION LEVEL	SPECIFICATION SHEET 1 OF 1	