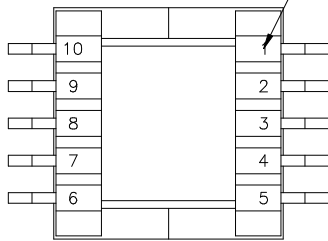
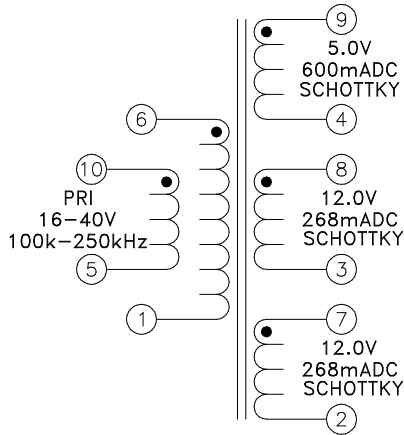
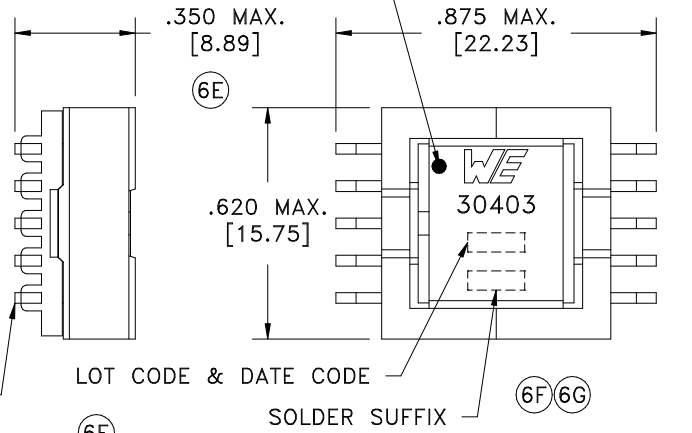


SOLDER SUFFIX	CUSTOMER TERMINAL	RoHS	LEAD(Pb)-FREE	6G
	Sn63%, Pb37%	No	No	
LF1	Sn96%, Ag4%	Yes	Yes	

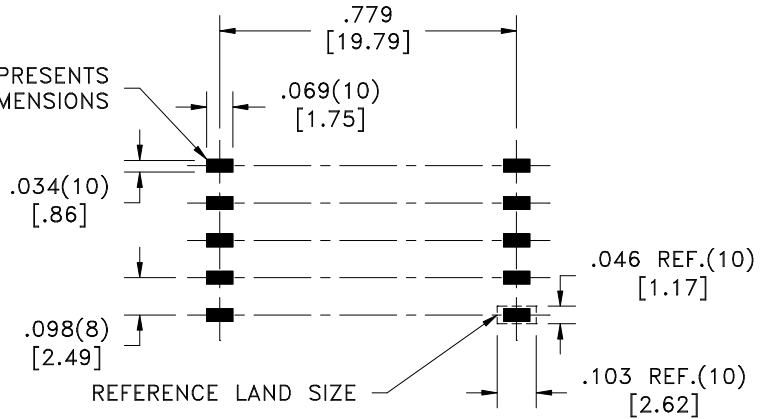
TERM. NO.'s FOR REF. ONLY



.016 X .028(10)
[.41 X .71]



AREA REPRESENTS
TERMINAL PAD DIMENSIONS



ELECTRICAL SPECIFICATIONS @ 25°C unless otherwise noted:

- D.C. RESISTANCE (@20°C): 6-1, 0.149 ohms max. 7-2, 0.380 ohms max.
9-4, 0.093 ohms max. 10-5, 0.189 ohms max.
8-3, 0.400 ohms max.
- DIELECTRIC RATING; 500VAC, 1 minute tested by applying 625VAC for 1 second between PRI-SEC.
- INDUCTANCE: 32.3uH ±5%, 10kHz, 100mVAC, 6-1, Ls
- LEAKAGE INDUCTANCE: 450nH typ., 100kHz, 100mVAC, 6-1(tie 9+4, 8+3, 7+2, 10+6, 1+5), Ls.
- TURNS RATIO:
(1-6):(9-4) = 1.733:1, ±1%. (1-6):(7-2) = 0.765:1, ±1%.
(1-6):(8-3) = 0.765:1, ±1%. (1-6):(10-5) = 1:1, ±1%.

TRANSFORMER INFORMATION:

Pout max.: 9.00W
Pout min.: 4.85W
Estimated Temp. Rise @ Pout max.: 40.0°C
Estimated Efficiency: 77.8%
Estimated Maximum Duty Cycle: 39.6%

SWITCH SELECTION INFORMATION

Input Voltage Range: 16 - 40V
Peak Current: 2.854A
Vsw @ Rated Output Voltages: 58 + (Vmax - 40)
Operating Frequency: 100k - 250kHz

Midcom p/n 30403R-LF1 is eiSos p/n: 750030403.

Transformer will operate in Discontinuous Mode below Minimum Specified Output Voltage of Pout Min. Pout min. varies with frequency of switcher (from 100 to 250kHz)
Pout Min = 485.0/(Frequency in kHz) Watts.

DETAILS SUBJECT TO CHANGE

Unless otherwise specified: Tolerances: Angles: ±1° Fractions: ±1/64 Decimals: ±.005[.13]	DRAWING TITLE	 www.we-online.com/midcom	PART # 30403R/-LF1
	TRANSFORMER		
This drawing is dual dimensioned. Dimensions in brackets are in millimeters.	eiSos p/n: 750030403	REVISIONS	REV. 6G 11/10
	SEE REVISION SHEET FOR REVISION LEVEL	SPECIFICATION SHEET 1 OF 1	