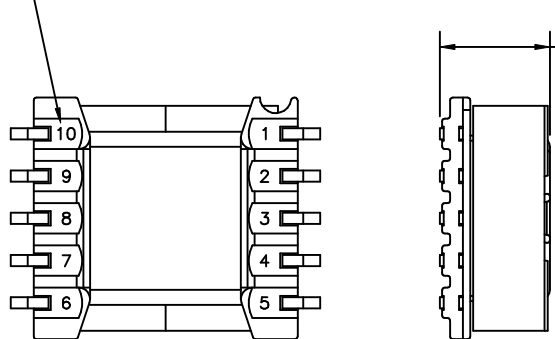


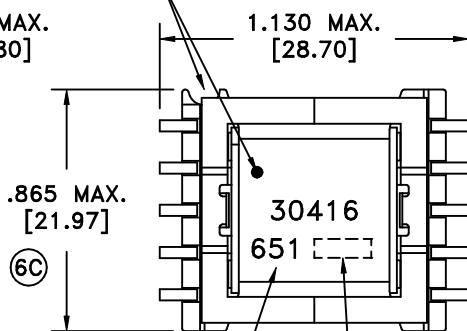
TERM. NO.'s FOR REF. ONLY



.425 MAX. [10.80]

6C

DOT/NOTCH LOCATES TERM. #1



6B

6C

EIA CODE

LOT CODE & DATE CODE

.070(10) [1.78] .828 [21.03]

.148(8) [3.75]

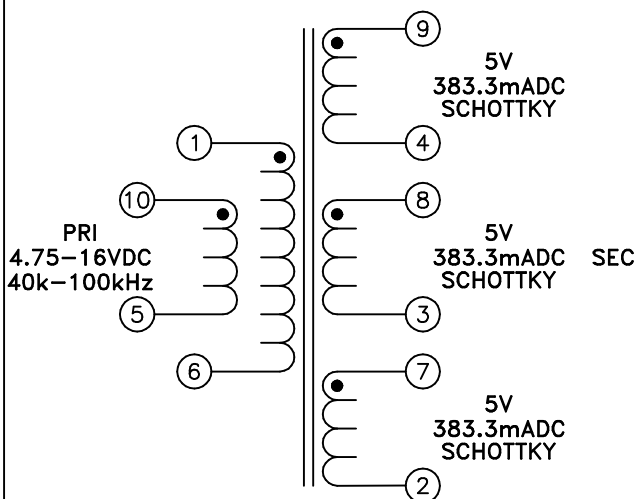
.039(10) [.99]

.058(10) [1.47]

RECOMMENDED LAND SIZE .124(10) [3.16]

TERMINAL PAD DIMENSIONS CUSTOMER TO DETERMINE LAND SIZE

6C



ELECTRICAL SPECIFICATIONS @ 25°C unless otherwise noted:

D.C. RESISTANCE (@20°C):
 1-6, 0.061 ohms max.
 9-4, 0.063 ohms max.
 8-3, 0.066 ohms max.
 7-2, 0.069 ohms max.
 10-5, 0.076 ohms max.

DIELECTRIC RATING; 500VAC, 1 minute tested by applying 625VAC for 1 second between PRI-SEC.

INDUCTANCE: 26.8uH ±5%, 10kHz, 100mVAC, 1-6, Ls.

LEAKAGE INDUCTANCE: 245nH typ., 100kHz, 100mVAC, 1-6(tie 9+4, 8+3, 7+2, 10+1, 5+6), Ls.

URNS RATIO:
 (1-6):(9-4) = 1:1, ±1%.
 (1-6):(8-3) = 1:1, ±1%.
 (1-6):(7-2) = 1:1, ±1%.
 (1-6):(10-5) = 1:1, ±1%.

TRANSFORMER INFORMATION:

Pout max.: 5.75W
 Pout min.: 2.85W
 Estimated Temp. Rise @ Pout max.: 26.5°C
 Estimated Efficiency: 71.6%
 Estimated Maximum Duty Cycle: 57.4%

SWITCH SELECTION INFORMATION

Input Voltage Range: 4.75 - 16V
 Peak Current: 4.876A
 Vsw @ Rated Output Voltages: 22 + (Vmax - 16)
 Operating Frequency: 100k - 250kHz

Transformer will operate in Discontinuous Mode below Minimum Specified Output Voltage of Pout Min. Pout min. varies with frequency of switcher (from 40 to 100kHz) Pout Min = 285.0/(Frequency in kHz) Watts.

Unless otherwise specified: Tolerances: Angles: ±1° Fractions: ±1/64 Decimals: ±.005[.13]	DRAWING TITLE <h2 style="text-align: center;">TRANSFORMER</h2>		PART # 30416R
	eiSos p/n: SEE REVISION SHEET FOR REVISION LEVEL	PART NO. 30416R	