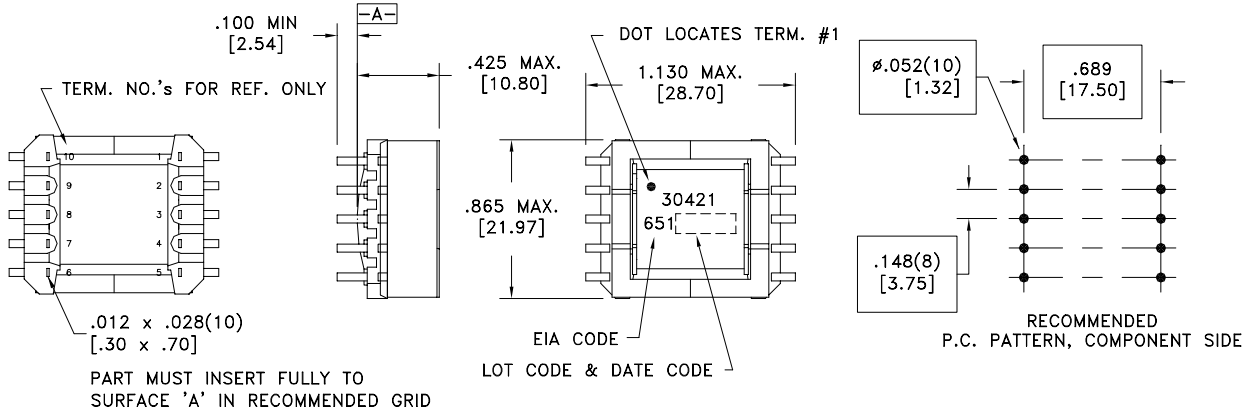
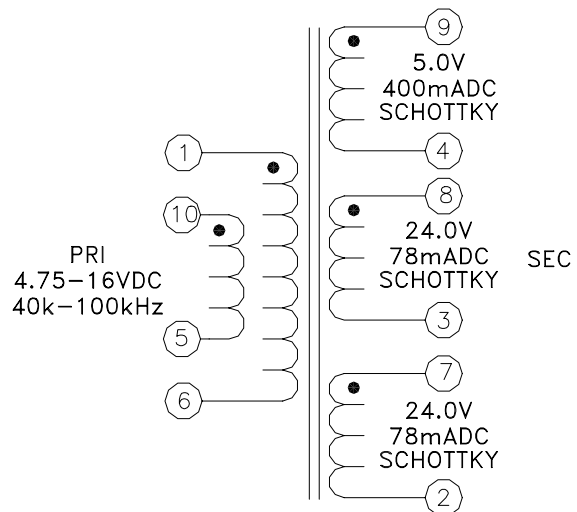
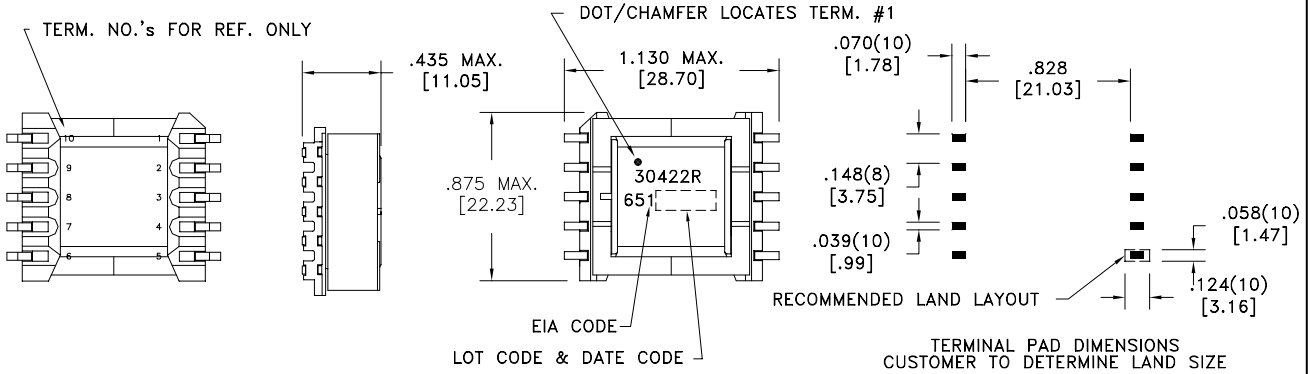


30421  
6C



30422R  
6C



**SPECIFICATIONS:**

D.C. RESISTANCE, 20°C: 1-6, 0.058 ohms max.  
 9-4, 0.063 ohms max.  
 8-3, 1.450 ohms max.  
 7-2, 1.450 ohms max.  
 10-5, 0.076 ohms max.

DIELECTRIC RATING; 500VAC, 1 minute tested by applying 625VAC for 1 second between: PRI-SEC.

INDUCTANCE: 26.8uH ±5%, 10kHz, 100mVAC, 1-6, Ls

LEAKAGE INDUCTANCE: 220nH typ., 100kHz, 100mVAC, 1-6(tie 9+4, 8+3, 7+2, 10+1, 5+6), Ls.

TURNS RATIO: (1-6):(9-4) = 1:1 ±1%  
 (1-6):(8-3) = 0.225:1 ±1%  
 (1-6):(7-2) = 0.225:1 ±1%  
 (1-6):(10-5) = 1:1 ±1%

**TRANSFORMER INFORMATION:**

Pout max.: 5.75W  
 Pout min.: 2.90W  
 Estimated Temp. Rise @ Pout max.: 20.7°C  
 Estimated Efficiency: 74.5%  
 Estimated Maximum Duty Cycle: 57.3%

**SWITCH SELECTION INFORMATION**

Input Voltage Range: 4.75 - 16V  
 Peak Current: 4.876A  
 Vsw @ Rated Output Voltages: 22 + (Vmax - 16)  
 Operating Frequency: 100k - 250kHz

Transformer will operate in Discontinuous Mode below Minimum Specified Output Voltage of Pout Min.  
 Pout min. varies with frequency of switcher (from 40 to 100kHz) Pout Min = 290.0/(Frequency in kHz) Watts

Midcom, Inc.  
 Watertown, SD USA  
 Toll Free: 800-643-2661  
 Fax: 605-886-4486

Unless otherwise specified:  
 Tolerances: Fractions: ±1/64  
 Angles: ±1° Decimals: ±.005(.127mm)

DRAWING TITLE  
**TRANSFORMER**

**Midcom**

DRAWING NO. 30421 / 30422R REV. 6C

REVISIONS: SEE SHEET 1

SCALE --- SHEET 2 OF 5

This drawing is dual dimensioned.  
 Dimensions in brackets are in millimeters.

DWG.# 30421/30422R