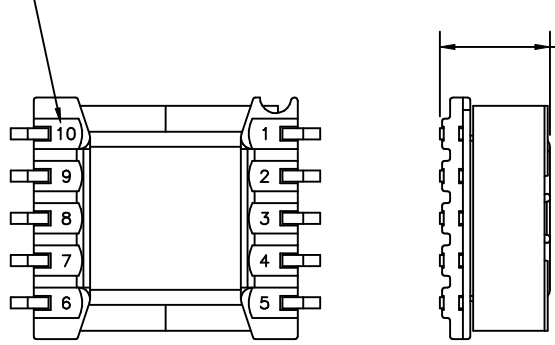


6C

TERM. NO.'s FOR REF. ONLY



.425 MAX. [10.80]

6C

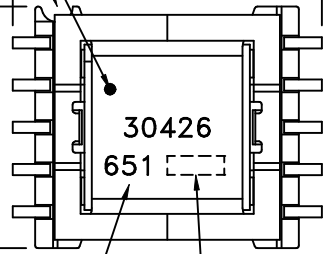
DOT/NOTCH LOCATES TERM. #1

1.130 MAX. [28.70]

6C

.865 MAX. [21.97]

6C



6C

EIA CODE
LOT CODE & DATE CODE

.070(10) [1.78]

.828 [21.03]

.148(8) [3.75]

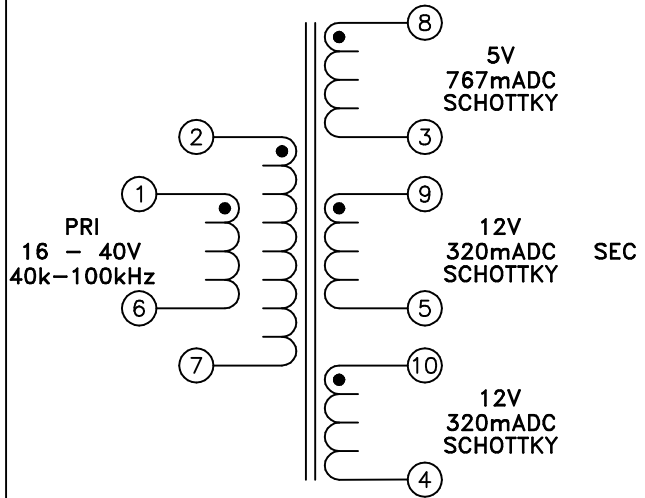
.039(10) [.99]

.058(10) [1.47]

RECOMMENDED LAND SIZE

TERMINAL PAD DIMENSIONS
CUSTOMER TO DETERMINE LAND SIZE

6C



ELECTRICAL SPECIFICATIONS @ 25°C unless otherwise noted:

D.C. RESISTANCE (@20°C):

- 2-7, 0.131 ohms max.
- 8-3, 0.069 ohms max.
- 9-5, 0.364 ohms max.
- 10-4, 0.384 ohms max.
- 1-6, 0.168 ohms max.

DIELECTRIC RATING; 500VAC, 1 minute tested by applying 625VAC for 1 second between PRI-SEC.

INDUCTANCE: 39.2uH ±5%, 10kHz, 100mVAC, 2-7, Ls.

LEAKAGE INDUCTANCE: 390nH typ., 10kHz, 100mVAC, 2-7(tie 9+5, 8+3, 7+6, 10+4, 1+2), Ls.

URNS RATIO:

- (2-7):(8-3) = 1.33:1, ±1%.
- (2-7):(9-5) = 0.585:1, ±1%.
- (2-7):(10-4) = 0.585:1, ±1%.
- (2-7):(1-6) = 1:1, ±1%.

TRANSFORMER INFORMATION:

Pout max.: 11.5W

Pout min.: 7.33W

Estimated Temp. Rise @ Pout max.: 27.8°C

Estimated Efficiency: 78.5%

Estimated Maximum Duty Cycle: 33.9%

SWITCH SELECTION INFORMATION

Input Voltage Range: 16 - 40V

Peak Current: 4.7A

Vsw @ Rated Output Voltages: 48 + (Vmax - 40)

Operating Frequency: 40k - 100kHz

Transformer will operate in Discontinuous Mode below Minimum Specified Output Voltage of Pout Min. Pout min. varies with frequency of switcher (from 40 to 100kHz) Pout Min = 733.0/(Frequency in kHz) Watts.

| | | | |
|-------------------------------------------------------------------------------------------------------|-------------------------------------------------------------------|----------------------------|---------------|
| Unless otherwise specified: Tolerances: Angles: ±1° Fractions: ±1/64 Decimals: ±.005[.13] | DRAWING TITLE <h2 style="text-align: center;">TRANSFORMER</h2> | | PART # 30426R |
| | eiSos p/n: SEE REVISION SHEET FOR REVISION LEVEL | | |
| This drawing is dual dimensioned. Dimensions in brackets are in millimeters. | | SPECIFICATION SHEET 1 OF 1 | |